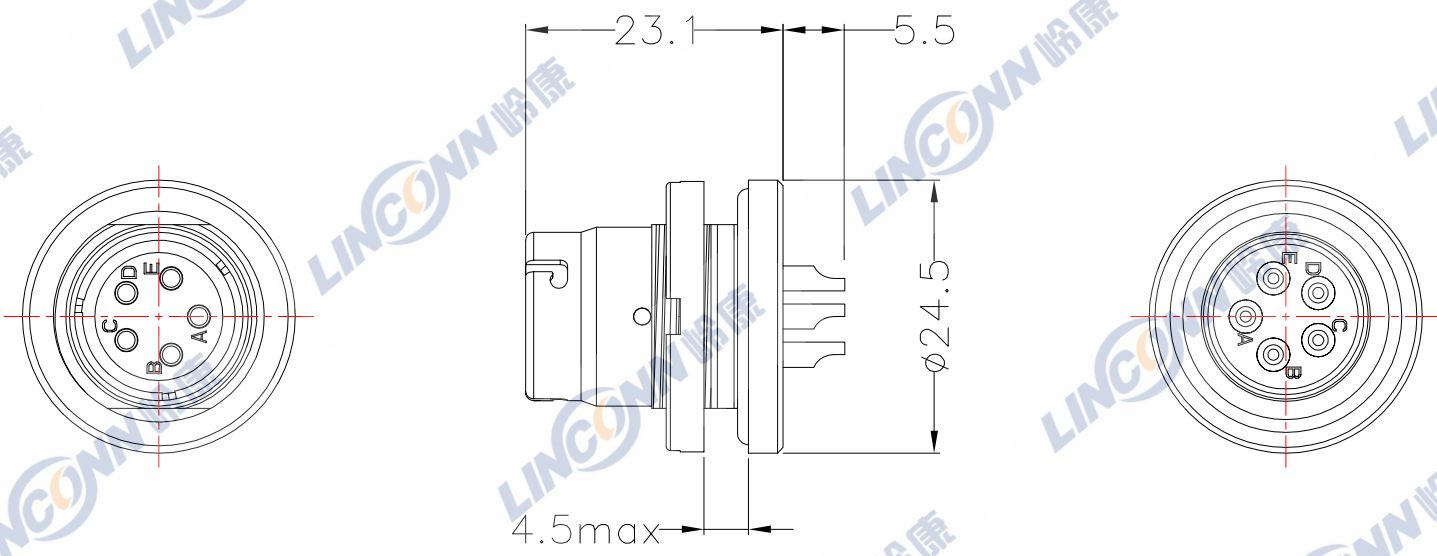


| ECN | REV | DESCRIPTION | DATE | APPROVED |
|-----|-----|-------------|------|----------|
| | | | | |



Part number U183/U-1

Series name:5 contact
 Receptacle with solder cup contacts
 Plating : 1:natural chrome
 4:Black chrome
 7:Olive green cadmium

| | |
|--------|---|
| 5 | 开槽螺母/NOTCHED NUT: 黄铜镀铬/BRASS, CHROME PLATED BLACK |
| 4 | 母针芯/PIN: 黄铜镀金/BRASS, GOLD PLATED |
| 3 | 绝缘体/INSULATOR: PA66+GF Black |
| 2 | 外壳/OUTER SHELL: 黄铜镀铬/BRASS, CHROME PLATED BLACK |
| 1 | 密封圈/O-RING: 橡胶/RUBBER |
| 序号ITEM | 名称 & 规格/Name & DESCRIPTION |

| | |
|---------|-----------|
| | SCALE |
| | F |
| | SHEET |
| 1 OF 1 | DIMENSION |
| | MM |
| DWG NO. | REV. |
| | A0 |

| | |
|--|------|
| TOLERANCES ARE: DECIMALES .x± ANGLES ± | |
| APPROVALS | DATE |
| APPROVED: | |
| CHECKED: | |
| CHECKED: | |
| DRAWN: | |

| | |
|--------------------------|--------|
| TITLE: 5PIN SOCKET | |
| PART NO. U183/U-1 | REV. * |
| Linconn Elc Tech Co.,LTD | |