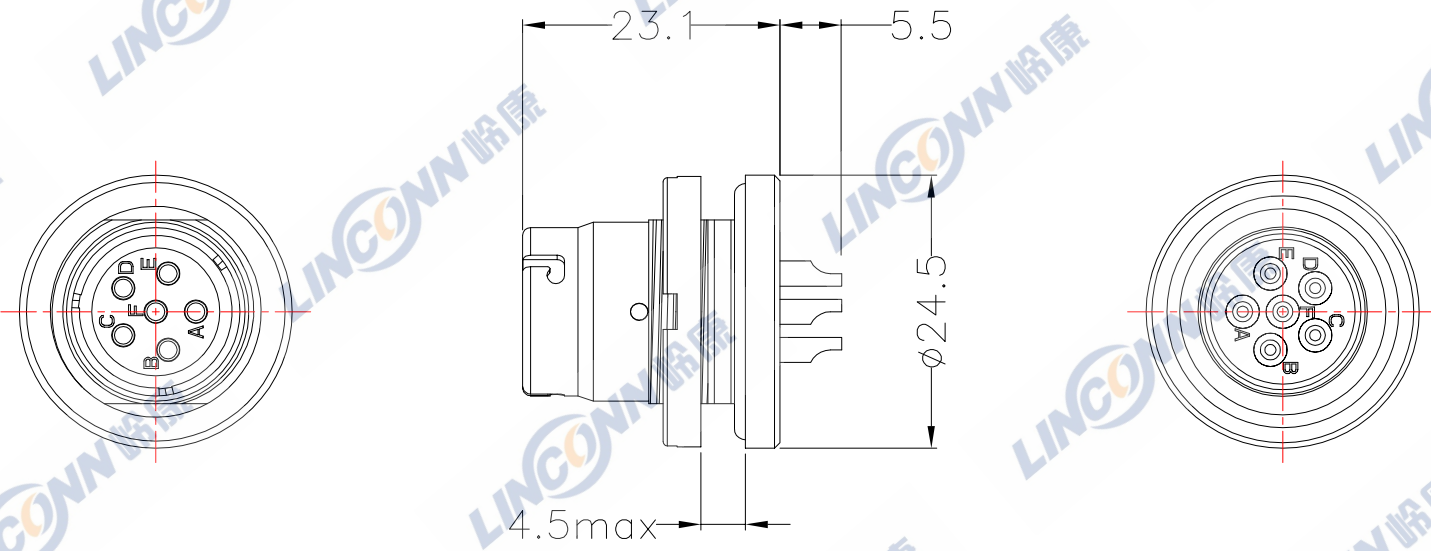


ECN	REV	DESCRIPTION	DATE	APPROVED



Part number U283 -1

Series name: 6 contact
 Receptacle with solder cup contacts
 Plating : 1:natural chrome
 4:Black chrome
 7:Olive green cadmium

5	开槽螺母/NOTCHED NUT: 黄铜镀铬/BRASS, CHROME PLATED BLACK
4	母针芯/PLN: 黄铜镀金/BRASS, GOLD PLATED
3	绝缘体/INSULATOR: PA66+GF Black
2	外壳/OUTER SHELL: 黄铜镀铬/BRASS, CHROME PLATED BLACK
1	密封圈/O-RING: 橡胶/RUBBER
序号ITEM	名称 & 规格/Name & DESCRIPTION

	SCALE
	F
SHEET	DIMENSION
1 OF 1	MM
DWG NO.	REV.
	A0

TOLERANCES ARE: DECIMALES $\begin{matrix} x \pm \\ .x \pm \end{matrix}$ ANGLES \pm	
APPROVALS	DATE
APPROVED:	
CHECKED:	
CHECKED:	
DRAWN:	

TITLE: 6PIN SOCKET	
PART NO. U283-1	REV. *
Linconn Elc Tech Co.,LTD	