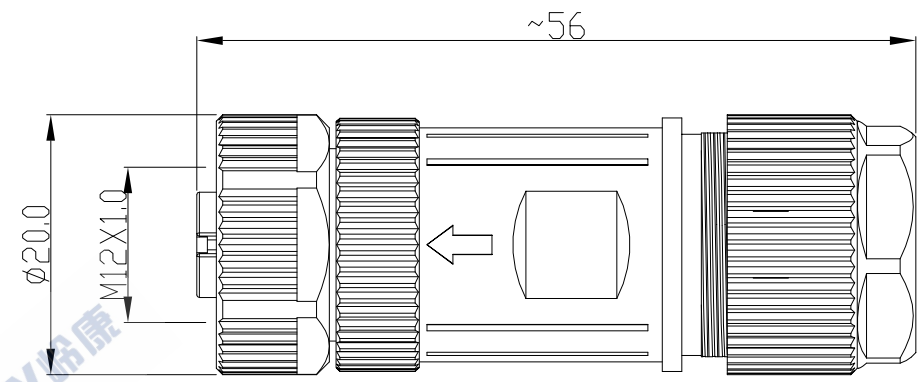
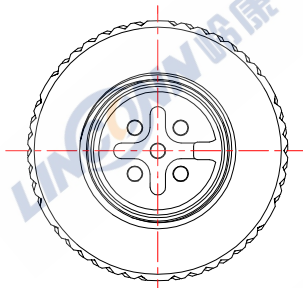


1. 芯数/NO. of contacts

系列/Series	303	304	305	306	308	312
孔位排列/Pin Number						
适配线缆/Conductor size	22AWG	22AWG	22AWG	24AWG	24AWG	26AWG
导体直径/Pin size	1.0mm	1.0mm	1.0mm	0.8mm	0.8mm	0.6mm
额定电流/Rated current	4A	4A	4A	2A	2A	1A
额定电压/Rated voltage	250V	250V	60V	30V	30V	30V

2. 绝缘体型号/Insulator Coded

Coded	A	D
型号		



3. 编码原则/Part Number

浮动式插头/Free Plug **M12K 5 305 A F C B G1 K 8**

主型号/Type \_\_\_\_\_

外观/Appearance: straight knurling and hexagon

针数/Pin Number \_\_\_\_\_

绝缘体型号/Insulator coded: A \_\_\_\_\_

绝缘体类型/Insulator type: F=Female \_\_\_\_\_

针类型/Sold Type: C=Crimp \_\_\_\_\_

针长度/Pin Length: B=Standard \_\_\_\_\_

表面处理/Plating: Gold Flash \_\_\_\_\_

线夹/Collect \_\_\_\_\_

尾螺帽/Collect Nut: 8—Cable OD 6~8mm \_\_\_\_\_  
 10—Cable OD 8.6~10.5mm \_\_\_\_\_

技术特性/Technical Characteristics

- 寿命/Durability: >500 mate/unmate cycles
- Pin接触电阻/ Pin Contact Resistance:  $\leq 10 \text{ m}\Omega$
- 绝缘电阻/Insulation Resistance:  $\geq 100 \text{ M}\Omega$
- 温度等级/Rated Temperature:  $-25^\circ \text{C}, +80^\circ \text{C}$
- 盐雾/Corrosion Resistance: Salt spray test, >48h
- 防水等级/Waterproof: IP67

插针/Pin



9	尾螺帽/Collect Nut: 锌合金镀镍/ Zinc Alloy, Nickel plated
8	线夹/Collect: 尼龙/PA
7	密封圈/Gasket: Rubber
6	外壳/Outer Shell: 锌合金镀镍/ Zinc Alloy, Nickel plated
5	固定座/Screw: 黄铜镀镍/Brass, Nickel plated
4	密封圈/O-RING: Rubber
3	M12 外壳/M12 Outer Shell: 锌合金镀镍/ Zinc Alloy, Nickel plated
2	母针芯/PIN: 铜合金镀金/Brass, G/F
1	绝缘体/Insulator: PA BLACK
序号/ITEM	名称 & 规格/Name & Description

	SCALE	TOLERANCES ARE: DECIMALES ANGLES	
	F	$\begin{matrix} X_{\pm} \\ \cdot X_{\pm} \end{matrix}$	$\begin{matrix} \pm \\ \pm \end{matrix}$
SHEET	DIMENSION	APPROVALS	DATE
1 OF 1	MM	APPROVED:	
DWG NO.	REV.	CHECKED:	
	A0	CHECKED:	
		DRAWN: pengsen	06/25/2021

TITLE: M12 female Plug	
PART NO. M12K5305AFCBG1K8	REV. *
Linconn Etc Tech Co.,LTD	