

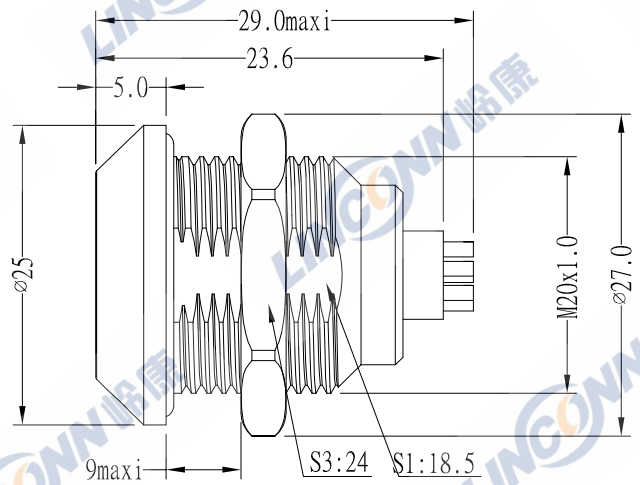
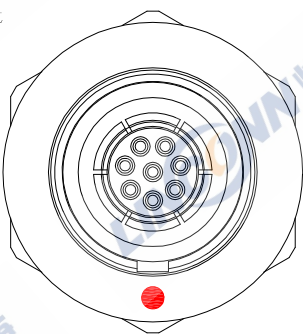
ECN	REV	DESCRIPTION	DATE	APPROVED

### 1) 2K系列推拉自锁连接器简介

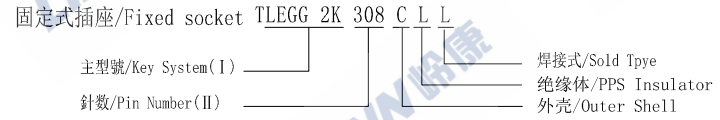
- 2K series connectors provide the following main features:
- security of the Push-Pull latching system -multipole types 2 to 32 contacts
  - solder, crimp or print(straight or elbow)contacts -high packing density for space savings
  - multiple key options to avoid cross mating -keying system (<G>key standard)for connector alignment
  - 360° screening for full EMC shielding
  - rugged housing for extreme working conditions -watertight connection(IP67/IP66)

### 2) 技术特性/Technical Characteristics

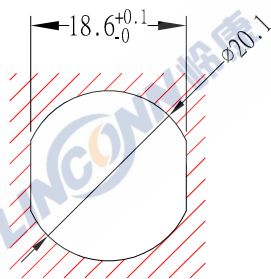
使用环境/Environment: 室外/outdoor  
 温度等级/Rated Temperature: -25° ,+150°  
 寿命/Durability: >500 mate/unmate cycles  
 盐雾/Corrosion Resistance: Salt spray test>144h  
 防水等级/Protection index:IP67/IP66



### 3) 编码原则/Part Number



### 5) 面板開孔尺寸/Hole Size



### 4) 编码说明/Part number example

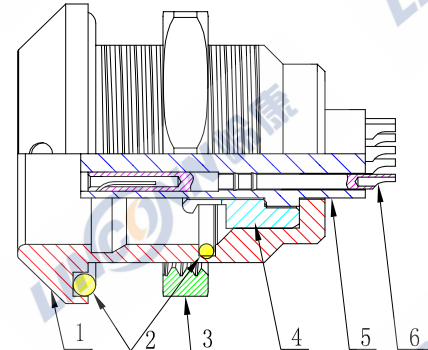
#### 定位销/Key System (I)

KEY LAYOUT	键位/Key Type	G	A	B	C	D	E	F	L
	键位/Key	1	2	2	2	2	2	2	2
	外壳型号/Type	TLEGG	TLEGA	TLEGB	TLEGC	TLEGD	TLEGE	TLEGF	TLEGL
	角度/Angle	0°	30°	45°	60°	95°	120°	145°	75°
		/	α			γ	β		γ

#### 针数/Pin Number (II)

系列/Series	302	303	304	305	306	307	308	310	312
孔位排列/Pin Number									
导体直径/Pin size	2.0mm	1.6mm	1.3mm	1.3mm	1.3mm	1.3mm	0.9mm	0.9mm	0.7mm
适配线缆/Conductor size	14AWG	16AWG	20AWG	20AWG	20AWG	20AWG	22AWG	22AWG	22AWG
额定电流/Rated current	25A	17.0A	15.0A	14.0A	12.0A	11.0A	10.0A	8.0A	7.0A

系列/Series	314	316	318	319	326	332
孔位排列/Pin Number						
导体直径/Pin size	0.7mm	0.7mm	0.7mm	0.7mm	0.5mm	0.5mm
适配线缆/Conductor size	22AWG	22AWG	22AWG	22AWG	28AWG	28AWG
额定电流/Rated current	6.5A	6.0A	5.5A	5.0A	2.0A	1.5A



6	母针芯/Pin: 磷铜镀金/Phosphor copper, Gold plated
5	绝缘体/Insulator: PPS
4	接地环/Earthing crown: 黄铜镀镍/Brass, Nickel plated
3	六角螺母/Hexagonal nut: 黄铜镀镍/Brass, Nickel plated
2	密封圈/O-RING: 橡胶/Rubber
1	外壳/Outer Shell: 黄铜镀镍/Brass, Chrome plated
序号 ITEM	名称 & 规格/Name & DESCRIPTION

	SCALE	TOLERANCES ARE: DECIMALES X± · X±	ANGLES ±
	F		
SHEET	DIMENSION	APPROVALS	DATE
1 OF 2	MM	APPROVED:	
DWG NO.	REV.	CHECKED:	
TLEGG2K	A0	CHECKED:	
		DRAWN:	pengsen 26/02/2020

TITLE:	固定式插座/Fixed socket	
PART NO.	TLEGG 2K 308 CLL	REV. *
<b>LINCONN</b> Linconn Etc Tech Co.,LTD		