

ECN	REV	DESCRIPTION	DATE	APPROVED

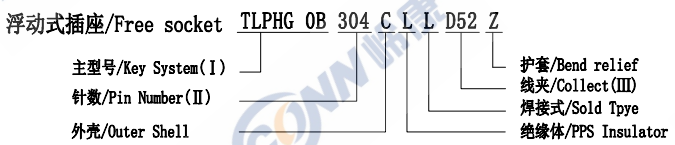
1) OB系列推拉自锁连接器简介

- OB series connectors provide the following main features:
- security of the Push-Pull self-latching system -multipole types 2 to 9 contacts
  - solder, crimp or print contacts (straight or elbow) -high packing density for space savings
  - multiple key options to avoid cross mating -keying system (<G>key standard)
  - of similar connectors for connector alignment
  - 360°screening for full EMC shielding.

2) 技术特性/Technical Characteristics

使用环境/Environment: 室内/Indoor  
 接口密封/Ingress protection: IP50  
 温度等级/Rated Temperature: -25° ,+150°  
 寿命/Durability: >500 mate/unmate cycles  
 盐雾/Corrosion Resistance: Salt spray test>144h

3) 编码原则/Part Number



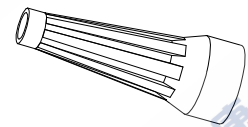
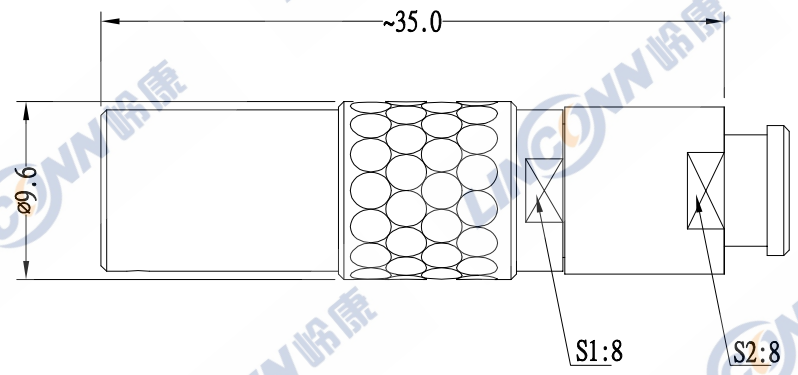
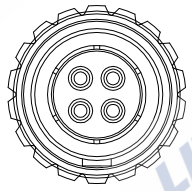
4) 编码说明/Part number example

定位销/Key System (I)

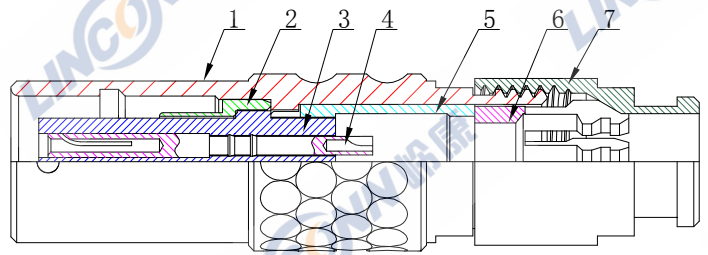
KEY LAYOUT	键位/Key Type	G	A	B	C	D	E	F	J	K	L
	键位/Key	1	2	2	2	2	2	2	2	2	2
	外壳型号/Type	TLFGG	TLFGA	TLFGB	TLFGC	TLFGD	TLFGE	TLFGF	TLFGJ	TLFGK	TLFGL
	角度/Angle	0°	30°	60°	90°	135°	145°	155°	45°	70°	80°
		α				β			γ		

针数/Pin Number (II)

系列/Series	302	303	304	305	306	307	309
孔位排列/Pin Number							
接触直径/Pin size	0.9mm	0.9mm	0.7mm	0.7mm	0.5mm	0.5mm	0.5mm
适配线径/Conductor size	20AWG	20AWG	22AWG	22AWG	28AWG	28AWG	28AWG
额定电流/Rated current	10A	8A	7A	6.5A	2.5A	2.5A	2A



护套/Bend relief SCALE 1:2



线夹/Collect (III)

线夹代号/code	35	42	52
线径/Cable OD	2.5-3.4	3.5-4.0	4.1-5.0
线夹/Collect Size	3.5mm	4.2mm	5.2mm

7	尾螺帽/Collect Nut: 黄铜镀铬/Brass, Chrome plated
6	线夹/Collect: 黄铜镀镍/Brass, Nickel plated
5	固定片/Insulator Carrier: 黄铜镀镍/Brass, Nickel plated
4	母针芯/Pin: 磷铜镀金/Phosphor copper, Gold plated
3	绝缘体/Insulator: PPS
2	接地环/Earthing crown: 黄铜镀镍/Brass, Nickel plated
1	外壳/Outer Shell: 黄铜镀铬/Brass, Chrome plated
序号 ITEM	名称 & 规格/Name & DESCRIPTION

SHEET	SCALE	TOLERANCES ARE:	
	F	DECIMALES	ANGLES
1 OF 1	DIMENSION	X±	±
DWG NO.	REV.	APPROVALS	DATE
TLPHG0B	A0	APPROVED:	
		CHECKED:	
		CHECKED:	
		DRAWN:	pengsen 26/02/2020

TITLE: 浮动式插座/Free socket  
 PART NO. TLPHG OB 304 CLLDZ  
 REV. \*

**LINCONN** Linconn Etc Tech Co.,LTD