

ECN	REV	DESCRIPTION	DATE	APPROVED

1) 1K系列推拉自锁连接器简介

1K series connectors provide the following main features:

- security of the Push-Pull latching system -multipole types 2 to 16 contacts
- solder, crimp or print(straight or elbow)contacts -high packing density for space savings
- multiple key options to avoid cross mating -keying system (<G>key standard)for connector alignment
- 360° screening for full EMC shielding
- rugged housing for extreme working conditions -watertight connection(IP67/IP66)

2) 技术特性/Technical Characteristics

使用环境/Environment: 室外/outdoor

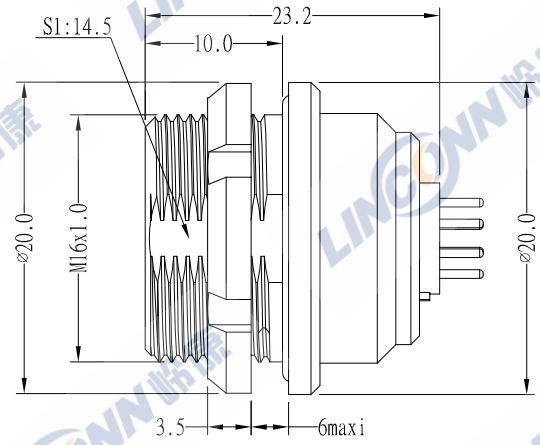
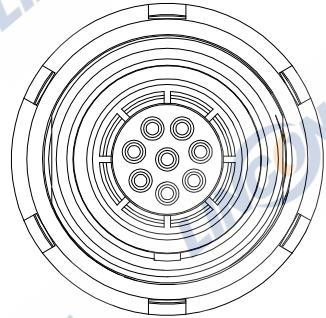
温度等级/Rated Temperature: -25°, +150°

寿命/Durability: >500 mate/unmate cycles

盐雾/Corrosion Resistance: Salt spray test>144h

防水等级/Protection index:IP67/IP66

Note:IP67 achieved providing that the cable is perfectly circular and that assembly process ensures a high integrity seal.



3) 编码原则/Part Number

固定式插座/Fixed socket TLEEG 1K 309 C L N



4) 编码说明/Part number example

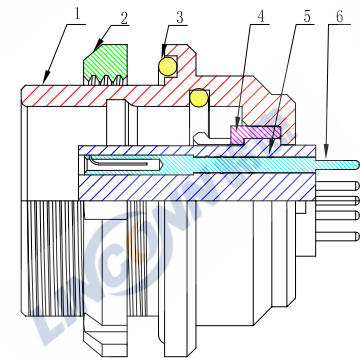
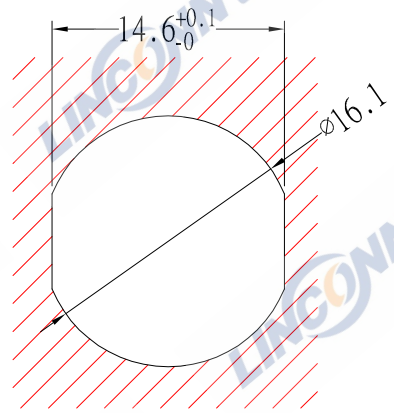
定位销/Key System(I)

KEY LAYOUT	键位/Key Type	G	A	B	C	D	E	F	L
	键位/Key	1	2	2	2	2	2	2	2
	外壳型号/Type	TLEGG	TLEGA	TLEGB	TLEGC	TLEGD	TLEGE	TLEGF	TLEGL
	角度/Angle	0°	30°	45°	60°	95°	120°	145°	75°
		/		α		γ		β	γ

针数/Pin Number (II)

系列/Series	302	303	304	305	306	307	308	310	314	316
孔位排列/Pin Number										
导体直径/Pin size	1.3mm	1.3mm	0.9mm	0.9mm	0.7mm	0.7mm	0.7mm	0.5mm	0.5mm	0.5mm
适配线缆/Conductor size	20AWG	20AWG	22AWG	22AWG	22AWG	22AWG	22AWG	28AWG	28AWG	28AWG
额定电流/Rated current	15A	12A	10A	9A	7A	7A	5A	2.5A	2.0A	1.5A

5) 面板开孔尺寸/Hole Size



6	母针芯/Pin: 磷铜镀金/Phosphor copper,Gold plated
5	绝缘体/Insulator: PPS
4	接地环/Earthing crown: 黄铜镀镍/Brass,Nickel plated
3	密封圈/O-RING: 橡胶/Rubber
2	开槽螺母/Notched nut: 黄铜镀铬/Brass,Chrome plated
1	外壳/Outer Shell: 黄铜镀铬/Brass,Chrome plated
序号 ITEM	名称 & 规格/Name & DESCRIPTION

SHEET	SCALE	TOLERANCES ARE:	
	1 OF 1	F	DECIMALES
DWG NO.	DIMENSION	$\begin{matrix} x \pm \\ \cdot x \pm \end{matrix}$	$\begin{matrix} \pm \\ \pm \end{matrix}$
TLEEG1K	MM	APPROVALS	DATE
REV.	A0	APPROVED:	
		CHECKED:	
		CHECKED:	
		DRAWN:	pengsen 26/02/2020

TITLE:	固定式插座/Fixed socket	
PART NO.	TLEEG 1K 309 CLN	REV. *

LINCONN Linconn Elc Tech Co.,LTD