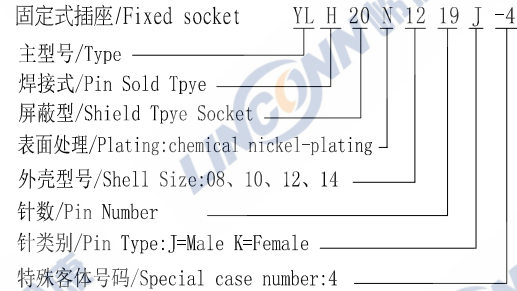


1. 芯数/NO. of contacts

系列/Series	1203a	1207	1208	1210	1219
孔位排列/Pin Number					
导体直径/Pin size	1.59mm	1.02mm	1.02mm	1.02mm	0.8mm
额定电流/Rated current	13A	7.5A	7.5A	7.5A	2A
额定电压/Rated voltage	300V	300V	300V	300V	200V

3. 编码原则/Part Number

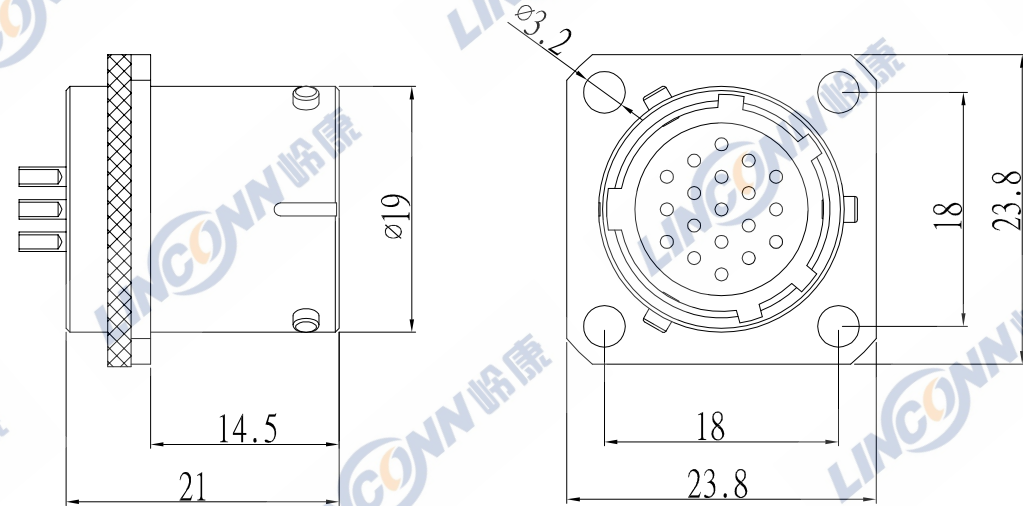
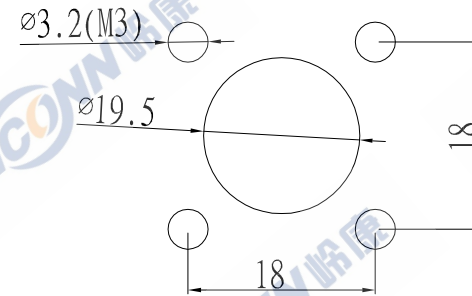


4. 技术特性/Technical Characteristics

1. 寿命/Durability: >500 mate/unmate cycles
2. Pin接触电阻/ Pin Contact Resistance: ≤10 mΩ
3. 绝缘电阻/Insulation Resistance: ≥ 100 MΩ
4. 温度等级/Rated Temperature: -25° C,+80° C

ECN	REV	DESCRIPTION	DATE	APPROVED

2. 面板开孔/RECOMMENDED PANEL CUT-OUT



	SCALE	TOLERANCES ARE: DECIMALES ANGLES X±0.2 ± .XX+0.1		TITLE: 浮动式插头/Free Plug	
	F	APPROVALS	DATE	PART NO. YLH20N1219K-4	REV. *
SHEET	DIMENSION	APPROVED:		LINCONN Linconn Elc Tech Co.,LTD	
1 OF 1	MM	CHECKED:			
DWG NO. YL	REV. A0	CHECKED:			
		DRAWN: pengsen	07/24/2020		