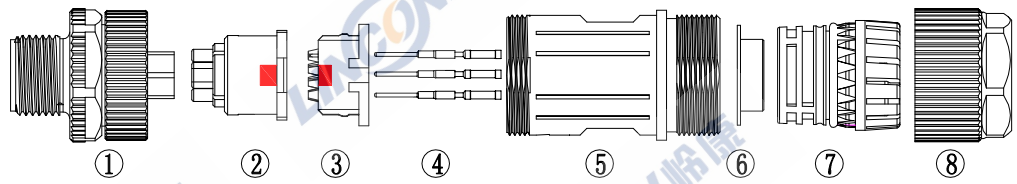
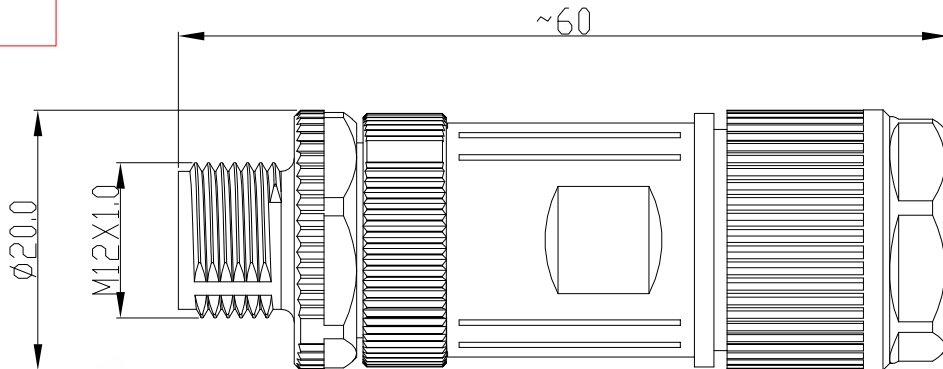
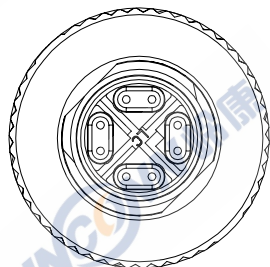


ECN	REV	DESCRIPTION	DATE	APPROVED



**装配工艺**

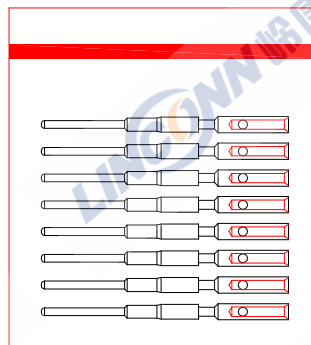
1. 电线剥皮20~25mm
2. 将5、6、7、8按照顺序及正确方位穿入电线
3. 电线导体与4铆接
4. 将接好线的4按照线序要求插入3，并确认线位无误后再推到位（轻微响声）
5. 将1和2按照方向装配在一起
6. 将3和1、2按照红色区域对齐，装配在一起
7. 将编织从6穿出外翻，与7装配在一起
8. 将6、7装入5，8锁紧
9. 将装好的1、2、3、4和5、6、7、8按照方向推入锁紧



**编码原则/Part Number**

浮动式插头/Free Plug M12K 5 308 X M C B G1 K 8  
 主型号/Type \_\_\_\_\_  
 外观/Appearance: straight knurling and hexagon  
 针数/Pin Number \_\_\_\_\_  
 绝缘体型号/Insulator coded: X \_\_\_\_\_  
 绝缘体类型/Insulator type:M=Male \_\_\_\_\_  
 针类型/Sold Tpye:C=Crimp \_\_\_\_\_  
 针长度/Pin Length:B=Standard \_\_\_\_\_  
 表面处理/Plating:Gold Flash \_\_\_\_\_  
 线夹/Collect \_\_\_\_\_  
 尾螺帽/Collect Nut: 8—Cable OD 6~8mm \_\_\_\_\_

**插针/Pin packaging**



**技术特性/Technical Characteristics**

1. 寿命/Durability: >500 mate/unmate cycles
2. Pin接触电阻/ Pin Contact Resistance: ≤10 mΩ
3. 绝缘电阻/Insulation Resistance: ≥ 100 MΩ
4. 温度等级/Rated Temperature: -25° C, +80° C
5. 盐雾/Corrosion Resistance: Salt spray test, >48h
6. 防水等级/Waterproof: IP67
7. 额定电流/Rated current:0.5A
8. 额定电压/Rated voltage:48V
9. 适配线缆/Conductor size:26~24AWG

9	尾螺帽/Collect Nut: 锌合金镀镍/ Zinc Alloy,Nickel plated
8	线夹/Collect: 尼龙/PA
7	密封圈/Gasket: Rubber
6	外壳/Outer Shell: 锌合金镀镍/ Zinc Alloy,Nickel plated
5	固定座/Screw: 黄铜镀镍/Brass,Nickel plated
4	密封圈/O-RING: Rubber
3	M12 外壳/M12 Outer Shell: 锌合金镀镍/ Zinc Alloy,Nickel plated
2	公针芯/PIN: 黄铜镀金/Brass, G/F
1	绝缘体/Insulator: PA BLACK
序号ITEM	名称 & 规格/Name & Description

SCALE		TOLERANCES ARE:	
F		DECIMALES	ANGLES
SHEET	DIMENSION	$\begin{matrix} x \pm \\ .x \pm \end{matrix}$	$\begin{matrix} \pm \\ \pm \end{matrix}$
1 OF 1	MM	APPROVALS	DATE
DWG NO.	REV.	APPROVED:	CHECKED:
	A0	CHECKED:	DRAWN:
		pengsen	06/25/2021

TITLE: M12 X coded male Plug	
PART NO. M12K5308XMCBG1K8	REV. *
<b>LINCONN</b> Linconn Elc Tech Co.,LTD	