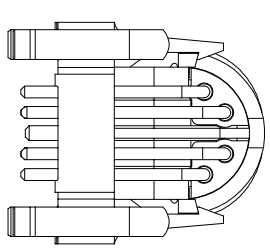
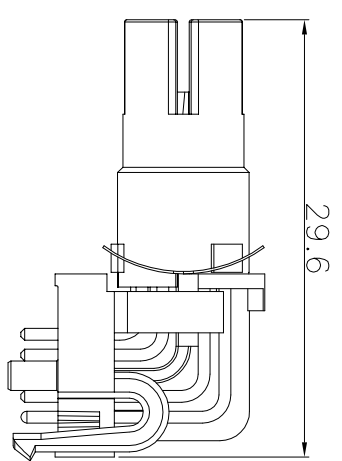
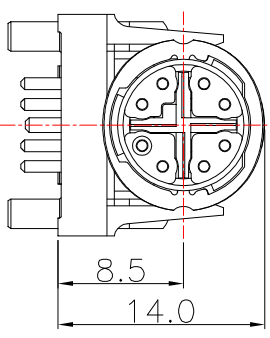


| ECN | REV | DESCRIPTION | DATE | APPROVED |
|-----|-----|-------------|------|----------|
| | | | | |

PART NUMBER

M12H 9 308 X F V S S

SERIES NAME _____
 Panel Cut-Out: M12x1.0 _____
 NO. OF CONTACTS: 8Pin _____
 INSERT HOUSING CODING: X-coded _____
 INSERT HOUSING TYPE: Female _____
 SOLD TYPE: PCB L90° _____
 ACCESSORIES: S=Shell 0=NO _____
 SHIELDED: S=Shield 0=NO _____



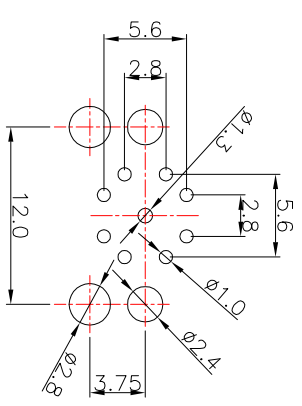
MATERIALS:

CONTACT: PHOSPHOR COPPER, GOLD PLATING
 INSULATION: PA
 OUT SHELL: BRASS NICKEL PLATED
 O-RING: NBR
 HEXAGONAL: BRASS NICKEL PLATED
 CROSS SHIELDED: ZINC ALUMINUM ALLOY, NICKEL PLATED

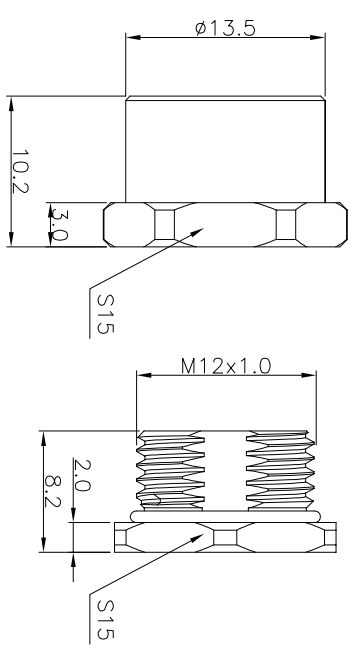
TECHNICAL SPECIFICATION:

1. RATING VOLTAGE: 48V, RATING CURRENT: 0.5A
2. CONTACT RESISTANT: 10 mOhm MAX
3. INSULATION WITHSTAND: 100 MOhm MIN
4. PROTECTION: IP67
5. TEMPERATURE RANGE: -45° ~ 80°
6. TRANSMISSION CHARACTERISTICS: CAT6a
7. RECOMMENDED PCB THICKNESS: 2.0MM MAX

PCB LAYOUT



ACCESSORIES Panel mounting base (optional)



| | | | | |
|----------|-----------|------------------|---------|-------------------------------|
| | SCALE | TOLERANCES ARE: | ANGLES | TITLE: |
| | F | DECIMALS .XX±0.2 | ± | M12 X-8pin female plug |
| SHEET | DIMENSION | APPROVALS | DATE | PART NO. |
| 1 OF 1 | MM | APPROVED: | | M12H9308X FV0S |
| DWG. NO. | REV. | CHECKED: | | REV. * |
| AO | AO | DRAWN: | pengsen | 09/04/2021 |

Linconn Linconn Etc Tech Co.,LTD