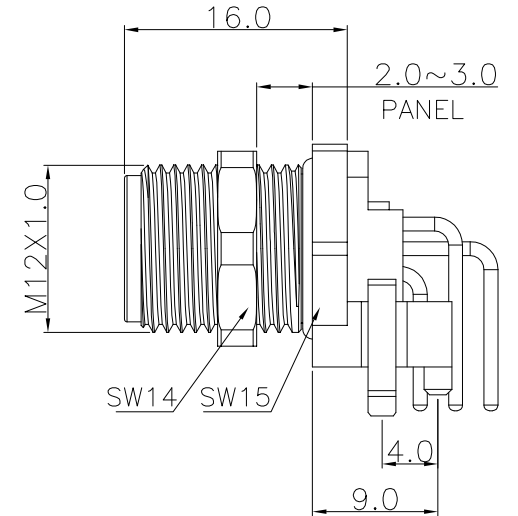
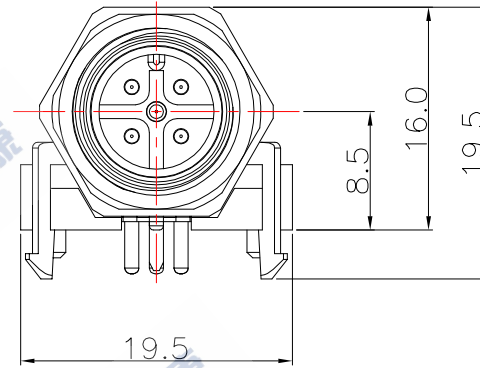


ECN	REV	DESCRIPTION	DATE	APPROVED

INSERT HOUSING CODING	D		A	
PIN ASSIGNMENT				
NO.OF CONTACTS	304	305	304	305



PART NUMBER

M12H 4 305 A M W B G1 (S)

SERIES NAME \_\_\_\_\_  
 APPEARANCE \_\_\_\_\_  
 NO.OF CONTACTS \_\_\_\_\_  
 INSERT HOUSING CODING \_\_\_\_\_  
 INSERT HOUSING TYPE \_\_\_\_\_  
 SOLD TPYE \_\_\_\_\_  
 PIN OF LENGTH \_\_\_\_\_  
 PLATING:GOLD FLASH \_\_\_\_\_  
 SHIELDED \_\_\_\_\_

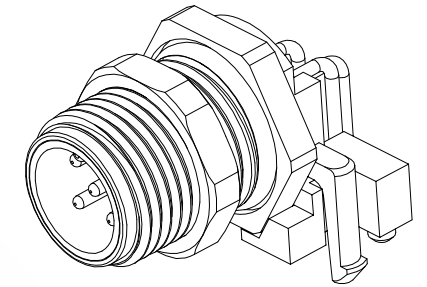
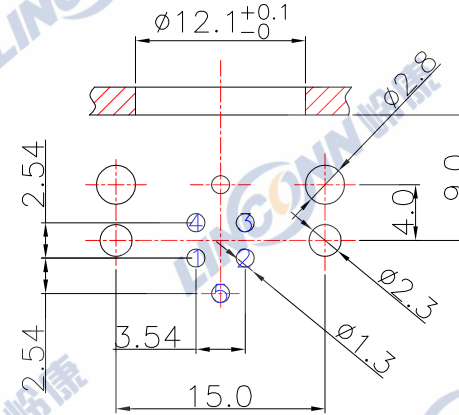
MATERIALS:

CONTACT: BRASS,GOLD PLATING  
 INSULATION: PA  
 OUT SHELL: BRASS NICKEL PLATED  
 O-RING: NBR

TECHNICAL SPECIFICATION:

- 1.RATED VOLTAGE: 250V(4PIN),60V(5PIN)
- 2.RATED CURRENT AT 40°: 4A
- 3.INSULATION RESISTANCE: 100 MΩ MIN
- 4.DEGREE PROTECTION: IP67
- 5.TEMPERATURE RANGE: -25°~70°
- 6.MATING CYCLES:500 MIN

PCB LAYOUT & PANEL HOLE SIZE



	SCALE	TOLERANCES ARE: DECIMALES ANGLES		TITLE: MALE SOCKET M12 ANGLED	
	F	.xx± .xx±		PART NO. M12H4305AMWBG1(S)	
SHEET	DIMENSION	APPROVALS	DATE	REV. *	
1 OF 1	MM	APPROVED:			
DWG NO.	REV.	CHECKED:			
	A0	CHECKED:			
		DRAWN:			

**LINCONN** Linconn Etc Tech Co.,LTD