

ECN	REV	DESCRIPTION	DATE	APPROVED

PART NUMBER

M12H 9 308 X F N S S

SERIES NAME

Panel Cut-Out: M12x1.0

NO. OF CONTACTS: 8Pin

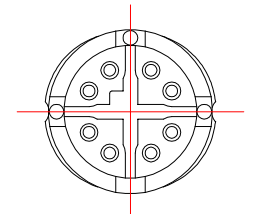
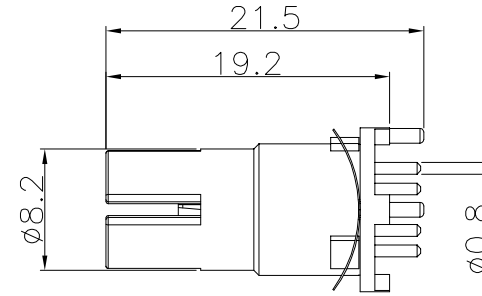
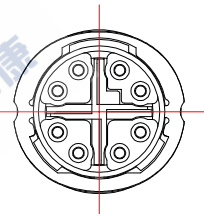
INSERT HOUSING CODING: X-coded

INSERT HOUSING TYPE: Female

SOLD TPYE: PCB L180°

ACCESSORIES: S=Shell 0=NO

SHIELDED: S=Shield 0=NO



MATERIALS:

CONTACT: PHOSPHOR COPPER, GOLD PLATING

INSULATION: PA

OUT SHELL: BRASS NICKEL PLATED

O-RING: NBR

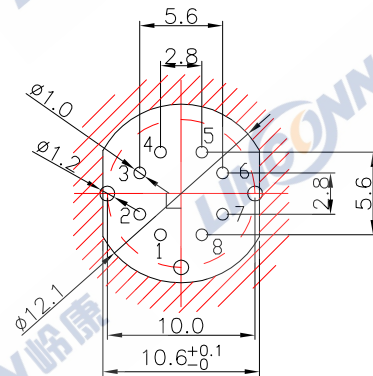
HEXAGONAL: BRASS NICKEL PLATED

CROSS SHIELDED: ZINC ALUMINUM ALLOY, NICKEL PLATED

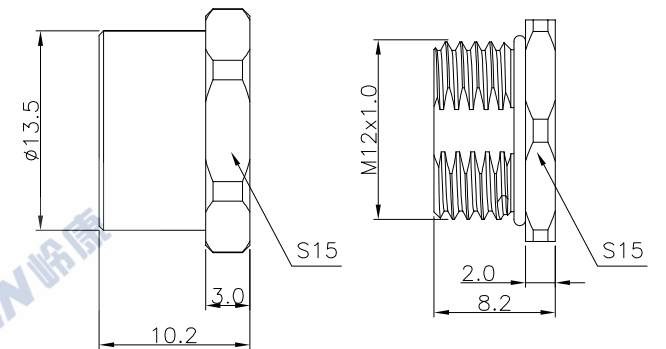
TECHNICAL SPECIFICATION:

1. RATING VOLTAGE: 48V, RATING CURRENT: 0.5A
2. CONTACT RESISTANT: 10 mOhm MAX
3. INSULATION WITHSTAND: 100 MOhm MIN
4. PROTECTION: IP67
5. TEMPERATURE RANGE: -45° ~ 80°
6. TRANSMISSION CHARACTERISTICS: CAT6a
7. RECOMMENDED PCB THICKNESS: 2.0MM MAX

PCB LAYOUT & PANEL HOLE SIZE



ACCESSORIES Panel mounting base(optional)



	SCALE	TOLERANCES ARE: DECIMALES ANGLES		TITLE: M12 X-8pin female plug	
	F	· X± 0.2 · XX± 0.1		±	
SHEET	DIMENSION	APPROVALS	DATE	PART NO.	REV.
1 OF 1	MM	APPROVED:		M12H9308XFN0S	*
DWG NO.	REV.	CHECKED:		Linconn Elc Tech Co.,LTD	
	A0	CHECKED:			
		DRAWN: pengsen	09/04/2021		