

ECN	REV	DESCRIPTION	DATE	APPROVED
	A1	size change design 11.9-->11.4	06/08/2020	

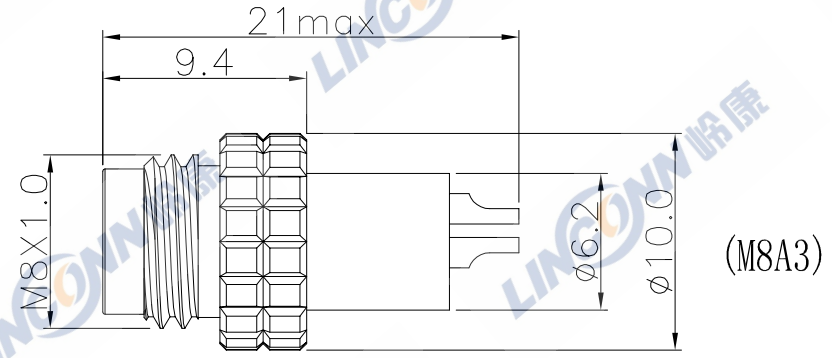
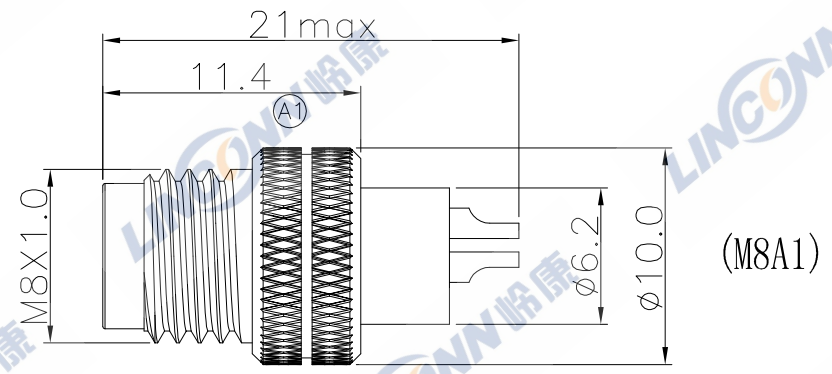
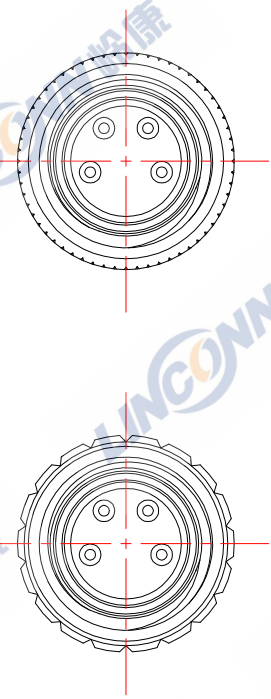
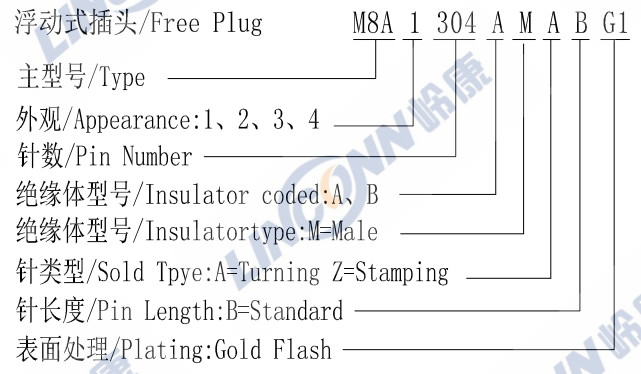
1. 芯数/NO. of contacts

系列/Series	303	304	305	306	308
孔位排列/Pin Number					
适配线缆/Conductor size	24AWG	24AWG	24AWG	26AWG	26AWG
导体直径/Pin size	1.0mm	1.0mm	1.0mm	0.7mm	0.6mm
额定电流/Rated current	3A	3A	3A	1A	1A
额定电压/Rated voltage	60V	30V	30V	30V	30V

2. 绝缘体型号/Insulator Coded

Coded	A	B
型号		

3. 编码原则/Part Number



4. 技术特性/Technical Characteristics

1. 寿命/Durability: >1000 mate/unmate cycles
2. Pin接触电阻/ Pin Contact Resistance: $\leq 10 \text{ m}\Omega$
3. 绝缘电阻/Insulation Resistance: $\geq 100 \text{ M}\Omega$
4. 温度等级/Rated Temperature: $-25^\circ\text{C}, +80^\circ\text{C}$
5. 盐雾/Corrosion Resistance: Salt spray test, >48h
6. 防水等级/Waterproof: IP67

3	外壳/Outer Shell: 黄铜镀镍/Brass, Nickel plated		SCALE	TOLERANCES ARE: DECIMALES ANGLES · X±0.2 · XX±0.1	TITLE: 浮动式插头/Free Plug	
2	公针芯/PIN: 黄铜镀金/Brass, G/F		F		APPROVALS	DATE
1	绝缘体/Insulator: PA BLACK	SHEET	DIMENSION	APPROVED:	CHECKED:	REV. *
8	序号ITEM 名称 & 规格/Name & Description	1 OF 1	MM	CHECKED:	DRAWN: pengsen	
		DWG NO. M8A	REV. A1		06/08/2020	

LINCONN Linconn Etc Tech Co.,LTD