

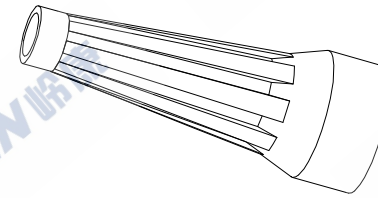
ECN	REV	DESCRIPTION	DATE	APPROVED

1. 芯数/NO. of contacts

系列/Series	303	304	305	306	308
孔位排列/Pin Number					
适配线缆/Conductor size	24AWG	24AWG	24AWG	26AWG	26AWG
导体直径/Pin size	1.0mm	1.0mm	1.0mm	0.7mm	0.6mm
额定电流/Rated current	3A	3A	3A	1A	1A
额定电压/Rated voltage	60V	30V	30V	30V	30V

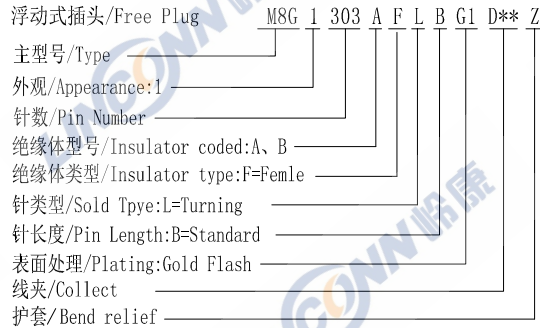
2. 绝缘体型号/Insulator Coded

Coded	A	B
型号		



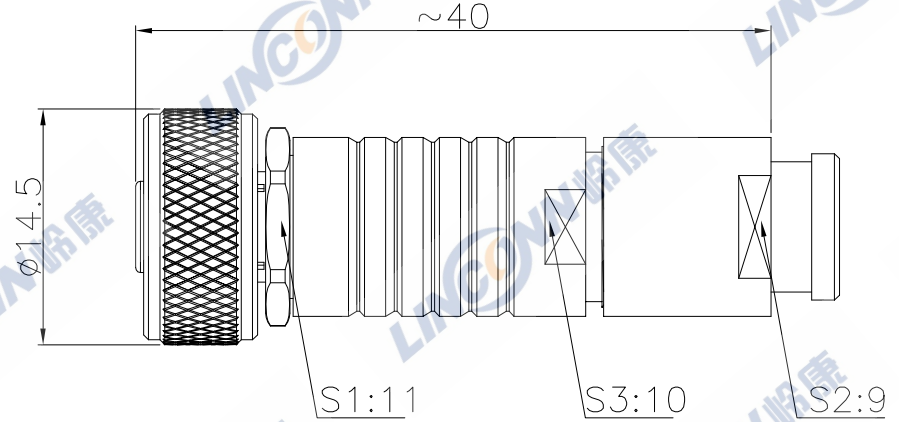
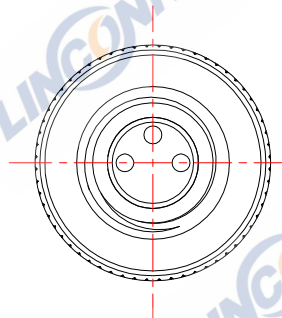
护套/Bend relief

3. 编码原则/Part Number



4. 技术特性/Technical Characteristics

1. 寿命/Durability: >1000 mate/unmate cycles
2. Pin接触电阻/ Pin Contact Resistance: ≤10 mΩ
3. 绝缘电阻/Insulation Resistance: ≥ 100 MΩ
4. 温度等级/Rated Temperature: -25° C, +80° C
5. 盐雾/Corrosion Resistance: Salt spray test, >48h
6. 防水等级/Waterproof: IP67



11	尾螺帽/Collect Nut: 黄铜镀铬/Brass, Chrome plated
10	线夹/Collect: 黄铜镀镍/Brass, Nickel plated
9	金属垫/Washer: 黄铜镀镍/Brass, Nickel plated
8	弹性垫圈/Gasket: 硅胶/Silicone rubber
7	接地锥/Earthing cone: 黄铜镀镍/Brass, Nickel plated
6	外壳/Outer Shell: 黄铜镀铬/Brass, Chrome plated
5	六角固定座/Hexagonal Screw: 黄铜镀镍/Brass, Nickel plated
4	密封圈/O-RING: Rubber
3	M8外壳/M8 Outer Shell: 黄铜镀镍/Brass, Nickel plated
2	绝缘体/Insulator: PA BLACK
1	母针芯/PIN: 磷铜镀金/Phosphor copper, G/F
序号 ITEM	名称 & 规格/Name & Description

SHEET	DIMENSION	TOLERANCES ARE:	
		DECIMALES	ANGLES
1 OF 1	MM	$\begin{matrix} x \\ \pm \end{matrix}$	$\begin{matrix} \text{°} \\ \pm \end{matrix}$
DWG NO.	REV.	APPROVALS	DATE
M8G	A0	APPROVED:	
		CHECKED:	
		CHECKED:	
		DRAWN:	03/24/2014

TITLE: 浮动式插头/Free Plug	
PART NO. M8G1303AFLBG1D**Z	REV. *
LINCONN Linconn Etc Tech Co.,LTD	