

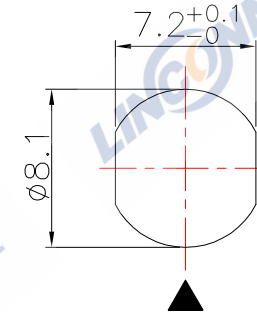
1. 芯数/NO. of contacts

系列/Series	303	304	305	306	308
Pin 排列/Pin Assignment PCB 孔位/PCB Layout (Front View)					
导体直径/Pin size	1.0mm	1.0mm	1.0mm	0.7mm	0.6mm
额定电流/Rated current	3A	3A	3A	1A	1A
额定电压/Rated voltage	60V	30V	30V	30V	30V

2. 绝缘体型号/Insulator Coded

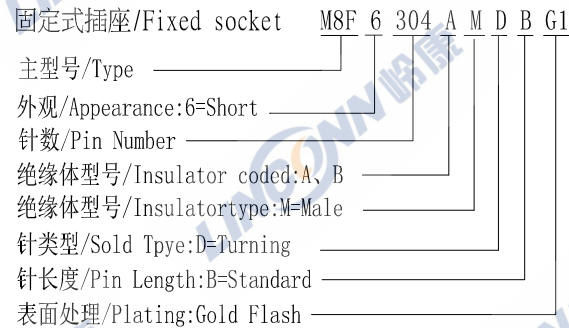
Coded	A	B
型号		

3. 面板开孔/RECOMMENDED PANEL CUT-OUT



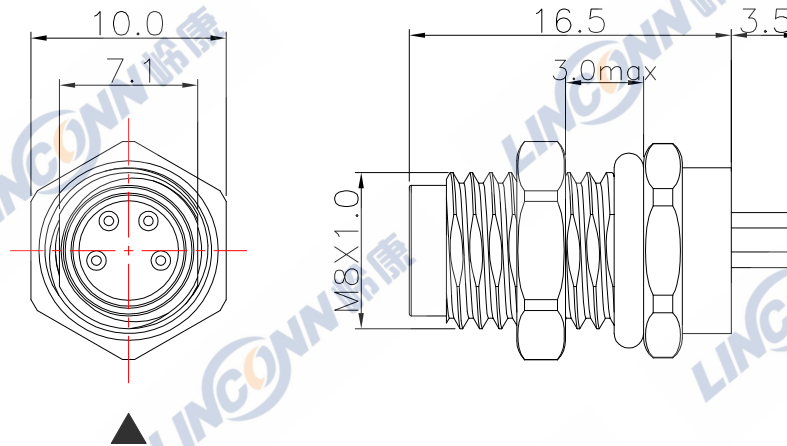
“▲”Insulator key

4. 编码原则/Part Number



5. 技术特性/Technical Characteristics

1. 寿命/Durability: >1000 mate/unmate cycles
2. Pin接触电阻/ Pin Contact Resistance: ≤10 mΩ
3. 绝缘电阻/Insulation Resistance: ≥ 100 MΩ
4. 温度等级/Rated Temperature: -25°C,+80°C
5. 盐雾/Corrosion Resistance: Salt spray test,>48h
6. 防水等级/Waterproof: IP67



5	密封圈/O-RING: Rubber
4	六角螺母/Hexagonal nut: 黄铜镀镍/Brass,Nickel plated
3	外壳/Outer Shell: 黄铜镀镍/Brass,Nickel plated
2	公针芯/PIN: 黄铜镀金/Brass ,G/F
1	绝缘体/Insulator: PA BLACK
序号ITEM	名称 & 规格/Name & Description

SHEET	SCALE	TOLERANCES ARE: DECIMALES X± 0.2 .XX± 0.1	ANGLES ±
	DIMENSION		
1 OF 1	MM	APPROVALS	DATE
DWG NO.	REV.	APPROVED:	CHECKED:
M8F	A0	CHECKED:	DRAWN: S.peng
		DRAWN:	03/24/2014

TITLE: 固定式插座/Fixed socket	
PART NO. M8F6304AMDBG1	REV. *
LINCONN Linconn Etc Tech Co.,LTD	