

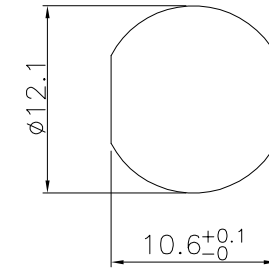
1. 芯数/NO. of contacts

系列/Series	303	304	305	306	308	312	317
孔位排列/Pin Number							
适配线缆/Conductor size	22AWG	22AWG	22AWG	24AWG	24AWG	26AWG	26AWG
导体直径/Pin size	1.0mm	1.0mm	1.0mm	0.8mm	0.8mm	0.6mm	0.6mm
额定电流/Rated current	4A	4A	4A	2A	2A	1A	1A
额定电压/Rated voltage	250V	250V	60V	30V	30V	30V	30V

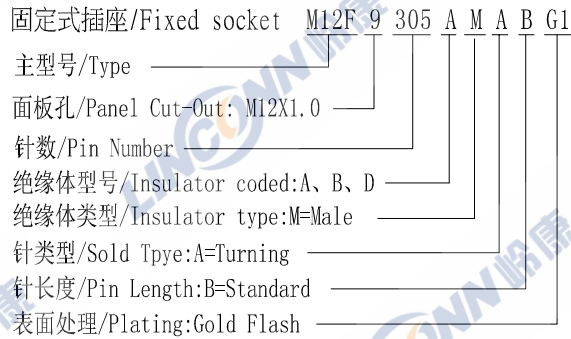
2. 绝缘体型号/Insulator Coded

Coded	A	B	D
型号			

3. 面板开孔/RECOMMENDED PANEL CUT-OUT

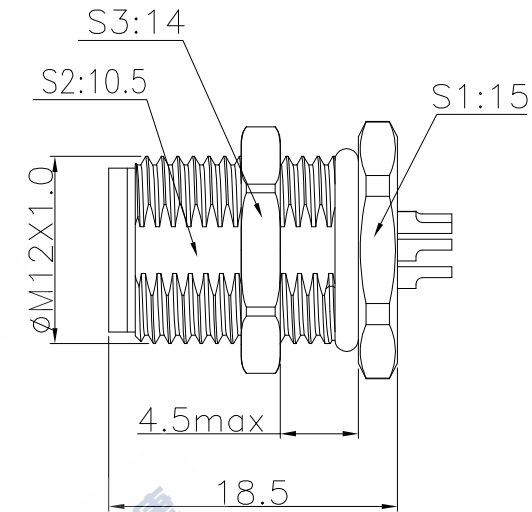
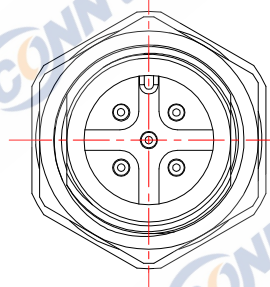


4. 编码原则/Part Number



5. 技术特性/Technical Characteristics

- 寿命/Durability: >500 mate/unmate cycles
- Pin接触电阻/ Pin Contact Resistance: ≤10 mΩ
- 绝缘电阻/Insulation Resistance: ≥ 100 MΩ
- 温度等级/Rated Temperature: -25° C, +80° C
- 盐雾/Corrosion Resistance: Salt spray test, >48h
- 防水等级/Waterproof: IP67



5	六角螺母/Hexagonal nut: 黄铜镀镍/Brass, Nickel plated
4	密封圈/O-RING: Rubber
3	外壳/Outer Shell: 黄铜镀镍/Brass, Nickel plated
2	绝缘体/Insulator: PA BLACK
1	公针芯/PIN: 黄铜镀金/Brass, G/F
序号ITEM	名称 & 规格/Name & Description

	SCALE	TOLERANCES ARE: DECIMALES		TITLE:
	F	ANGLES		
SHEET	DIMENSION	APPROVALS	DATE	PART NO.
1 OF 1	MM	APPROVED:		M12F9305AMABG1
DWG NO.	REV.	CHECKED:		REV.
M12F	A0	CHECKED:		*
		DRAWN: S.peng	03/24/2014	