

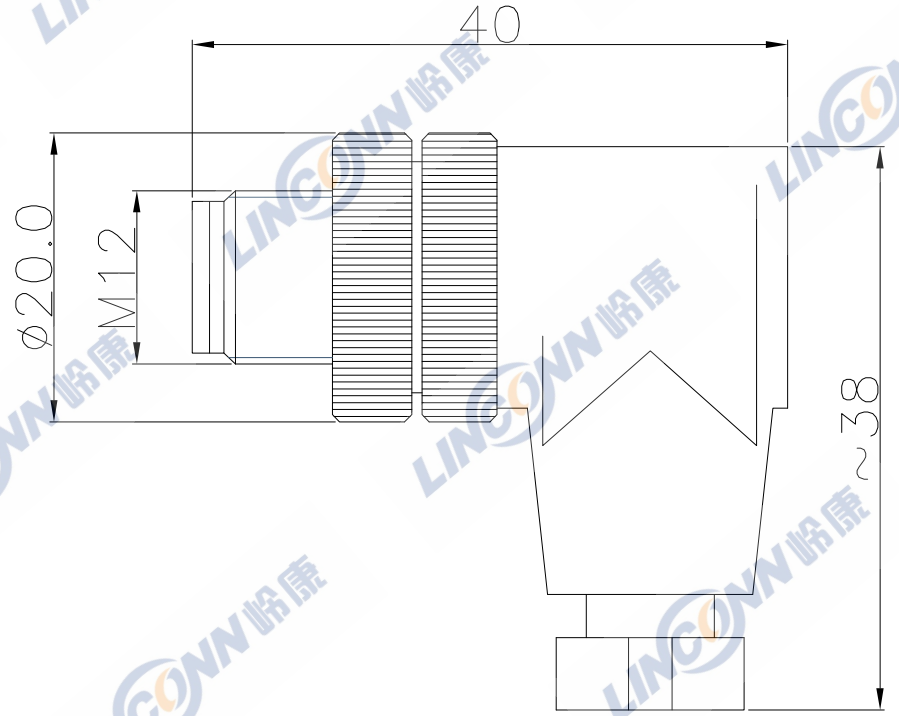
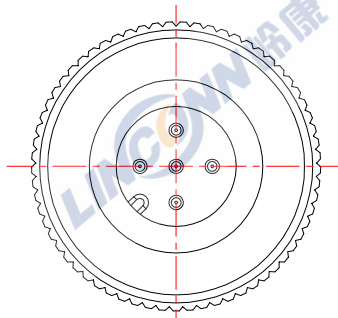
ECN	REV	DESCRIPTION	DATE	APPROVED

1. 芯数/NO. of contacts

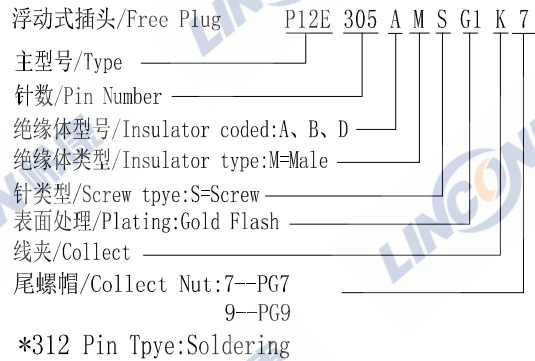
系列/Series	303	304	305	306	308	312
孔位排列/Pin Number						
适配线缆/Conductor size	22AWG	22AWG	22AWG	24AWG	24AWG	26AWG
导体直径/Pin size	1.0mm	1.0mm	1.0mm	0.8mm	0.8mm	0.6mm
额定电流/Rated current	4A	4A	4A	2A	2A	1A
额定电压/Rated voltage	250V	250V	60V	30V	30V	30V

2. 绝缘体型号/Insulator Coded

Coded	A	B	D
型号			



3. 编码原则/Part Number



4. 技术特性/Technical Characteristics

1. 寿命/Durability: >500 mate/unmate cycles
2. Pin接触电阻/ Pin Contact Resistance: ≤10 mΩ
3. 绝缘电阻/Insulation Resistance: ≥ 100 MΩ
4. 温度等级/Rated Temperature: -25° C,+80° C
5. 盐雾/Corrosion Resistance: Salt spray test,>48h
6. 防水等级/Waterproof: IP67

	SCALE	TOLERANCES ARE: DECIMALES .X± ANGLES ±		TITLE: 浮动式插头/Free Plug	
	F			PART NO. P12E305AMSG1K7	
SHEET	DIMENSION	APPROVALS		DATE	REV. *
1 OF 1	MM	APPROVED:			
DWG NO. P12E	REV. A0	CHECKED:			
		DRAWN:			
				LINCINN Linconn Elc Tech Co.,LTD	