

| ECN | REV | DESCRIPTION | DATE | APPROVED |
|-----|-----|-------------|------|----------|
| | | | | |

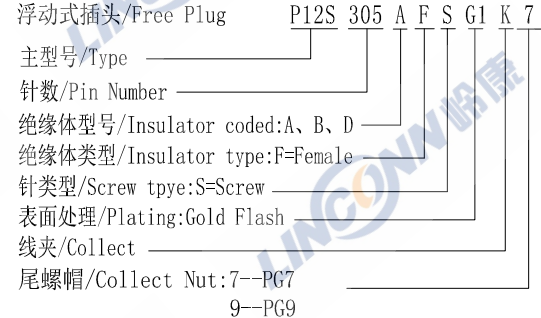
1. 芯数/NO. of contacts

| 系列/Series | 303 | 304 | 305 | 306 | 308 | 312 |
|---------------------|-------|-------|-------|-------|-------|-------|
| 孔位排列/Pin Number | | | | | | |
| 适配线缆/Conductor size | 22AWG | 22AWG | 22AWG | 24AWG | 24AWG | 26AWG |
| 导体直径/Pin size | 1.0mm | 1.0mm | 1.0mm | 0.8mm | 0.8mm | 0.6mm |
| 额定电流/Rated current | 4A | 4A | 4A | 2A | 2A | 1A |
| 额定电压/Rated voltage | 250V | 250V | 60V | 30V | 30V | 30V |

2. 绝缘体型号/Insulator Coded

| Coded | A | B | D |
|-------|---|---|---|
| 型号 | | | |

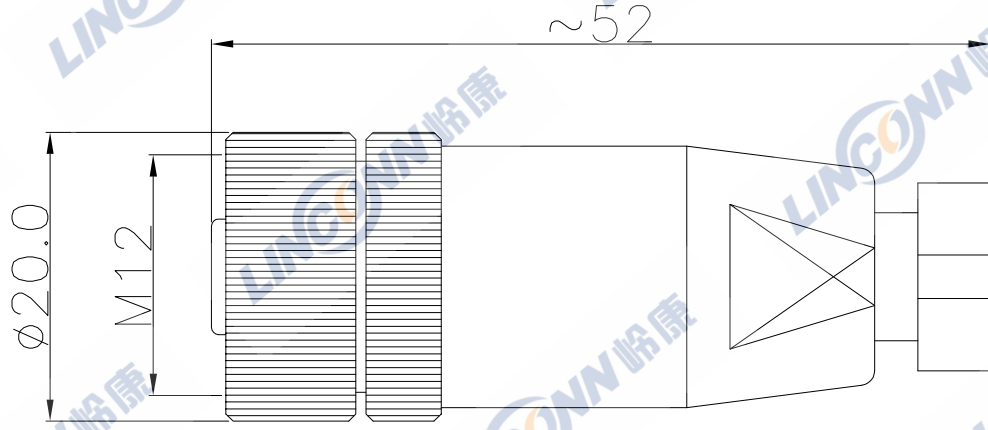
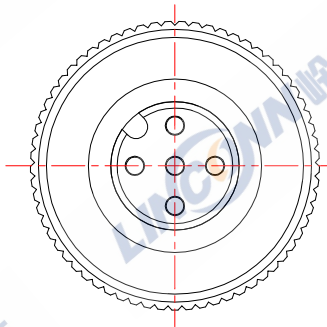
3. 编码原则/Part Number



*312 Pin Tpye:Soldering

4. 技术特性/Technical Characteristics

1. 寿命/Durability: >500 mate/unmate cycles
2. Pin接触电阻/ Pin Contact Resistance: ≤10 mΩ
3. 绝缘电阻/Insulation Resistance: ≥ 100 MΩ
4. 温度等级/Rated Temperature: -25° C, +80° C
5. 盐雾/Corrosion Resistance: Salt spray test, >48h
6. 防水等级/Waterproof: IP67



| | |
|--------|---|
| 5 | 外壳/body: PA BLACK |
| 4 | 母针芯/PIN: 铜镀金/copper, G/F |
| 3 | 螺帽/Screw Cap: 黄铜镀镍/Brass, Nickel plated |
| 2 | 密封圈/O-RING: Rubber |
| 1 | 绝缘体/Insulator: PA BLACK |
| 序号ITEM | 名称 & 规格/Name & Description |

| | | | |
|---------|-----------|--|-------------|
| SHEET | SCALE | TOLERANCES ARE: DECIMALES X± X± | ANGLES ± |
| | F | | |
| 1 OF 1 | DIMENSION | APPROVALS | DATE |
| DWG NO. | REV. | APPROVED: | CHECKED: |
| P12S | A0 | CHECKED: | DRAWN: |

| | |
|----------------------------------|--------|
| TITLE: 浮动式插头/Free Plug | |
| PART NO. P12S305AFSG1K7 | REV. * |
| LINCINN Linconn Etc Tech Co.,LTD | |