

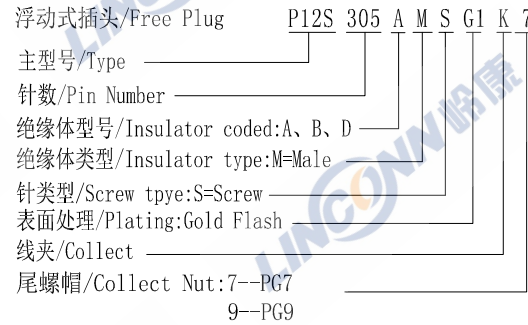
1. 芯数/NO. of contacts

系列/Series	303	304	305	306	308	312
孔位排列/Pin Number						
适配线缆/Conductor size	22AWG	22AWG	22AWG	24AWG	24AWG	26AWG
导体直径/Pin size	1.0mm	1.0mm	1.0mm	0.8mm	0.8mm	0.6mm
额定电流/Rated current	4A	4A	4A	2A	2A	1A
额定电压/Rated voltage	250V	250V	60V	30V	30V	30V

2. 绝缘体型号/Insulator Coded

Coded	A	B	D
型号			

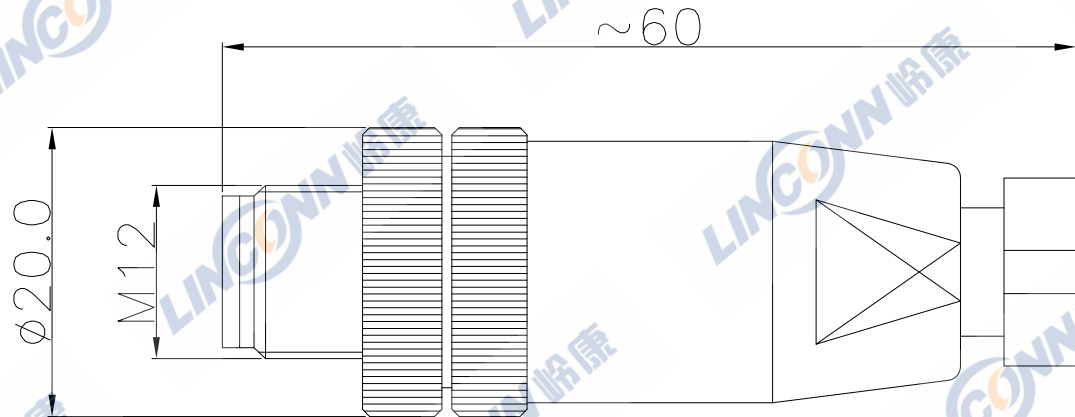
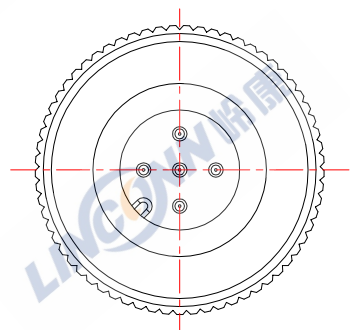
3. 编码原则/Part Number



*312 Pin Type:Soldering

4. 技术特性/Technical Characteristics

- 寿命/Durability: >500 mate/unmate cycles
- Pin接触电阻/ Pin Contact Resistance: $\leq 10 \text{ m}\Omega$
- 绝缘电阻/Insulation Resistance: $\geq 100 \text{ M}\Omega$
- 温度等级/Rated Temperature: $-25^\circ \text{C}, +80^\circ \text{C}$
- 盐雾/Corrosion Resistance: Salt spray test, >48h
- 防水等级/Waterproof: IP67



	SCALE	TOLERANCES ARE:		TITLE:	
	F	DECIMALES	ANGLES	浮动式插头/Free Plug	
SHEET	DIMENSION	APPROVALS		PART NO.	REV.
1 OF 1	MM	APPROVED:		P12S305AMSG1K7	*
DWG NO.	REV.	CHECKED:		LINGCONN Linconn Elc Tech Co.,LTD	
P12S	A0	DRAWN:			