

1. 芯数/NO. of contacts

系列/Series	303	304	305	306
孔位排列/Pin Number				
适配线缆/Conductor size	24AWG	24AWG	24AWG	26AWG
导体直径/Pin size	1.0mm	1.0mm	1.0mm	0.7mm
额定电流/Rated current	3A	3A	3A	1A
额定电压/Rated voltage	60V	30V	30V	30V

2. 绝缘体型号/Insulator Coded

Coded	A	B
型号		

3. 编码原则/Part Number

浮动式插头/Free Plug

主型号/Type

针数/Pin Number

绝缘体型号/Insulator coded:A、B

绝缘体类型/Insulator type:M=Male

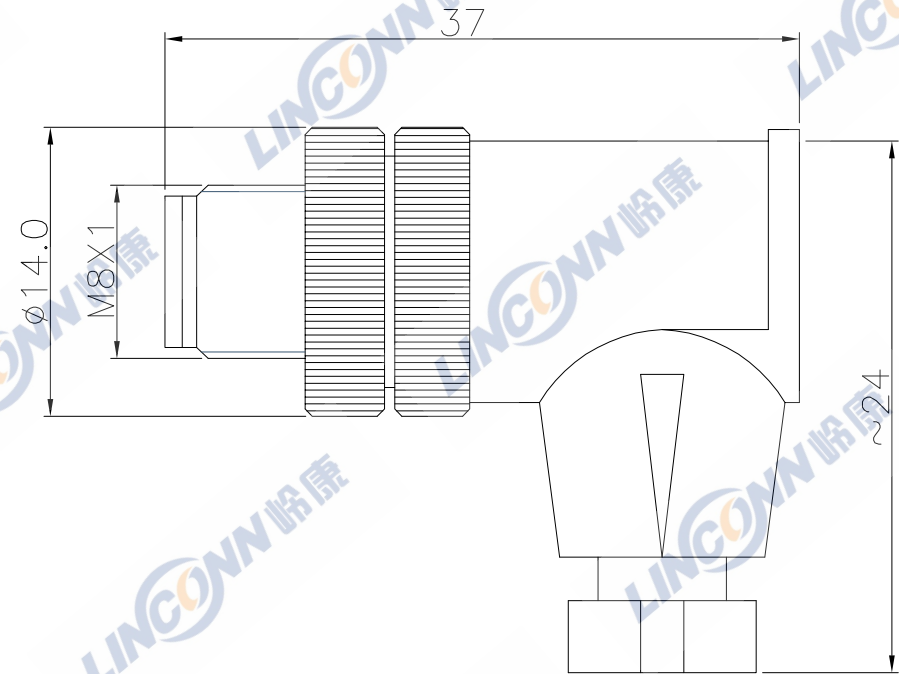
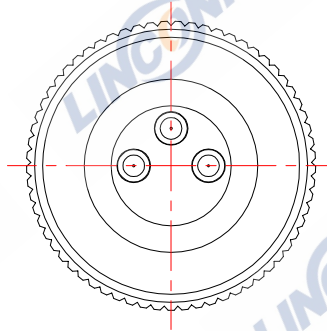
针类型/Screw type:S=Screw

表面处理/Plating:Gold Flash

线夹/Collect

出线口/Cable OD:3-5mm

P8E 303 A M S G1 K 5



4. 技术特性/Technical Characteristics

- 1.寿命/Durability: >1000 mate/unmate cycles
- 2.Pin接触电阻/ Pin Contact Resistance: $\leq 10 \text{ m}\Omega$
- 3.绝缘电阻/Insulation Resistance: $\geq 100 \text{ M}\Omega$
- 4.温度等级/Rated Temperature: $-25^\circ\text{C}, +80^\circ\text{C}$
- 5.盐雾/Corrosion Resistance: Salt spray test, >48h
- 6.防水等级/Waterproof: IP67

	SCALE	TOLERANCES ARE: DECIMALES ANGLES · X± 0.2 · XX± 0.1		TITLE: 浮动式插头/Free Plug	
	F				
SHEET	DIMENSION	APPROVALS	DATE	PART NO.	REV.
1 OF 1	MM	APPROVED:		P8E303AMSG1K5	*
DWG NO.	REV.	CHECKED:		LINCINN Linconn Elc Tech Co.,LTD	
P8E	A0	DRAWN: S.peng	03/24/2014		