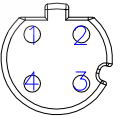

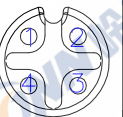
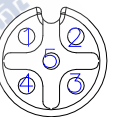
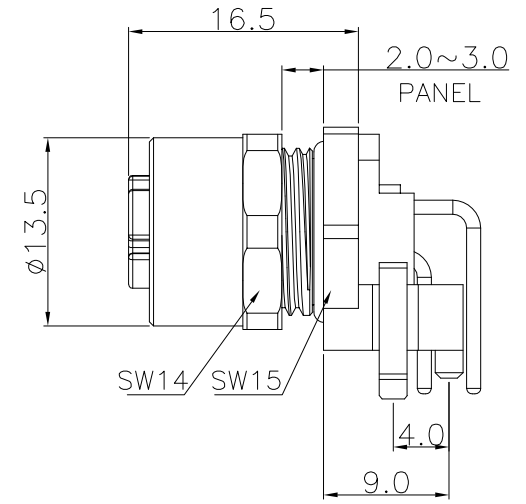
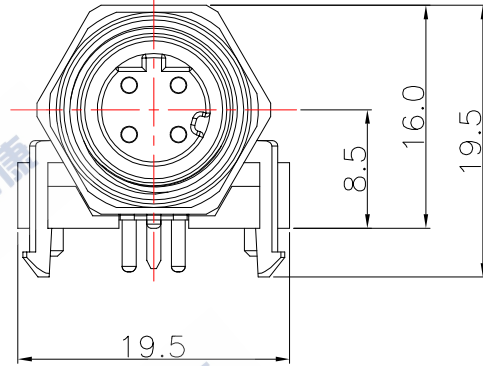


ECN	REV	DESCRIPTION	DATE	APPROVED

INSERT HOUSING CODING	D		A	
PIN ASSIGNMENT				
NO.OF CONTACTS	304	305	304	305



PART NUMBER

M12H 4 304 D F V B G1 (S)

SERIES NAME _____
 APPEARANCE _____
 NO.OF CONTACTS _____
 INSERT HOUSING CODING _____
 INSERT HOUSING TYPE _____
 SOLD TPEY _____
 PIN OF LENGTH _____
 PLATING:GOLD FLASH _____
 SHIELDED _____

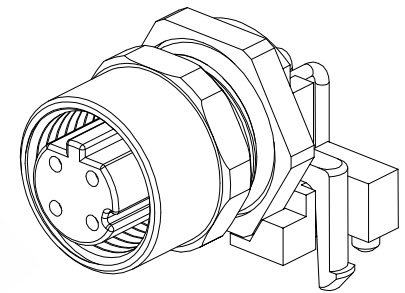
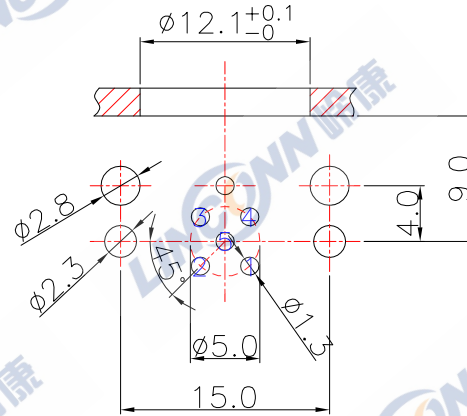
MATERIALS:

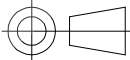

CONTACT: PHOSPHOR COPPER,GOLD PLATING
 INSULATION: PA
 OUT SHELL: BRASS NICKEL PLATED
 O-RING: NBR

TECHNICAL SPECIFICATION:

- 1.RATED VOLTAGE: 250V(4PIN),60V(5PIN)
- 2.RATED CURRENT AT 40°: 4A
- 3.INSULATION RESISTANCE: 100 MΩ MIN
- 4.DEGREE PROTECTION: IP67
- 5.TEMPERATURE RANGE: -25°~70°
- 6.MATING CYCLES:500 MIN

PCB LAYOUT & PANEL HOLE SIZE



	SCALE	TOLERANCES ARE: DECIMALES ANGLES		TITLE: FEMALE SOCKET M12 ANGLED	
	F	·xx±	±	PART NO.	REV.
SHEET	DIMENSION	APPROVALS		DATE	
1 OF 1	MM	APPROVED:			
DWG NO.	REV.	CHECKED:			
	A0	CHECKED:			
		DRAWN:			
				 Linconn Elc Tech Co.,LTD	