

ECN	REV	DESCRIPTION	DATE	APPROVED

### 1. 芯数/NO. of contacts

系列/Series	303	304	305	306	308	312	317
Pin 排列/Pin Assignment PCB 孔位/PCB Layout (Front View)							
导体直径/Pin size	1.0mm	1.0mm	1.0mm	0.8mm	0.8mm	0.6mm	0.6mm
额定电压/Rated voltage	250V	250V	60V	30V	30V	30V	30V
额定电流/Rated current	4A	4A	4A	2A	2A	1.0A	1.0A

### 2. 绝缘体型号/Insulator Coded

Coded	A	B	D
型号			

### 3. 编码原则/Part Number

固定式插座/Fixed socket **M12H 9 304 A M D O S**

主型号/Type \_\_\_\_\_

面板孔/Panel Cut-Out: M12x1.0 \_\_\_\_\_

针数/Pin Number: 4Pin \_\_\_\_\_

绝缘体型号/Insulator coded: A, B, D \_\_\_\_\_

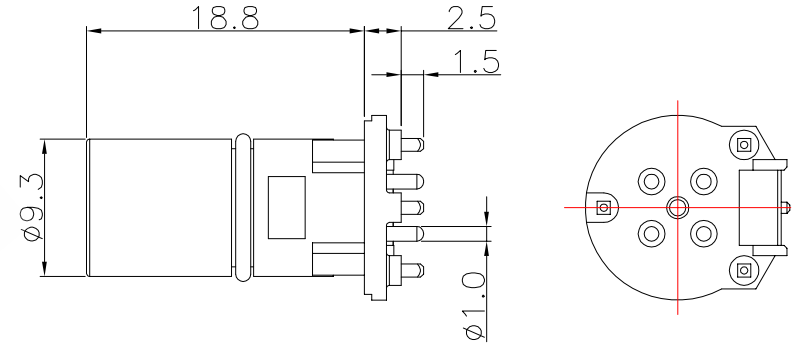
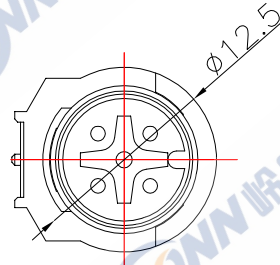
绝缘体类型/Insulator type: M=Male \_\_\_\_\_

针类型/Sold Tpye: PCB L180° \_\_\_\_\_

外壳/ACCESSORIES: S=Shell/带外壳 0=NO/不带外壳 \_\_\_\_\_

屏蔽/SHIELDED: S=Shield/带屏蔽 0=NO/不带屏蔽 \_\_\_\_\_

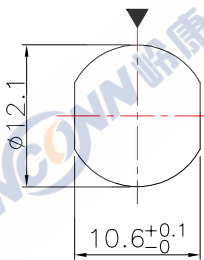
“▼” Insulator key



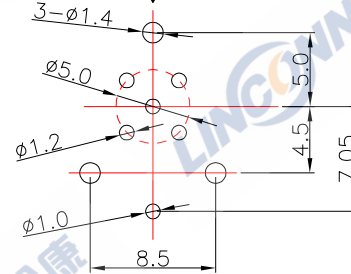
### 4. 技术特性/Technical Characteristics

- 寿命/Durability: >100 mate/unmate cycles
- Pin接触电阻/ Pin Contact Resistance: ≤5 mΩ
- 绝缘电阻/Insulation Resistance: ≥ 100 MΩ
- 温度等级/Rated Temperature: -40°C, +80°C
- 盐雾/Corrosion Resistance: Salt spray test, >48h
- 防水等级/Waterproof: IP67

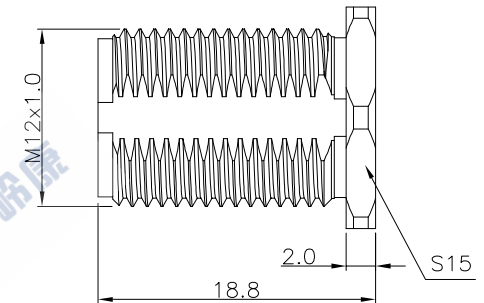
面板开孔  
RECOMMENDED PANEL CUT-OUT



PCB 开孔尺寸/PCB LAYOUT



ACCESSORIES Panel mounting base (optional)



4	外壳/Outer Shell: 黄铜镀镍/Brass, Nickel plated
3	针芯/PIN: 铜合金镀金/Copper, gold plating
2	密封圈/O-RING: Rubber
1	绝缘体/Insulator: PA BLACK
序号ITEM	名称 & 规格/Name & Description

	SCALE	F
	SHEET	DIMENSION
1 OF 1	MM	
DWG NO.	REV.	
	A0	

TOLERANCES ARE: DECIMALES ANGLES	
· X±0.2	±
· XX±0.1	
APPROVALS	DATE
APPROVED:	
CHECKED:	
CHECKED:	
DRAWN: pengsen	09/04/2021

TITLE: <b>M12 male socket</b>	
PART NO. <b>M12H9304AMDOS</b>	REV. <b>*</b>
<b>Linconn Elc Tech Co.,LTD</b>	