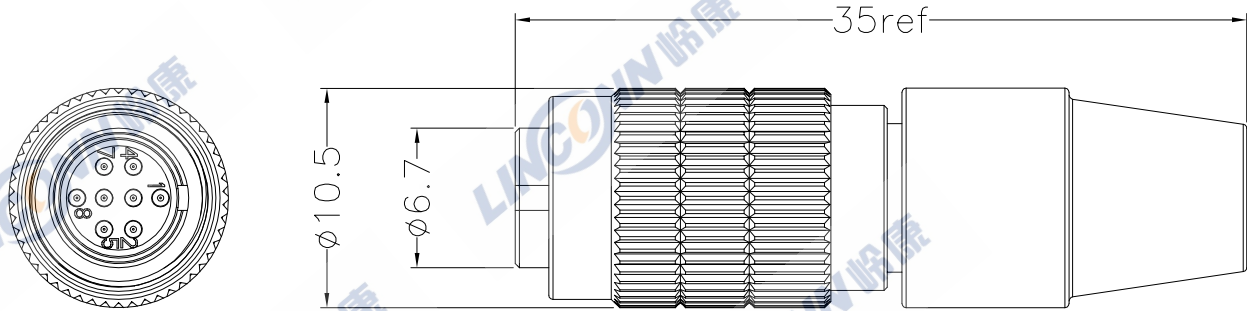


ECN	REV	DESCRIPTION	DATE	APPROVED



**Major Ratings**

- 1. Withstand voltage: 100V AC for 1minute
- 2. Current capacity : 1A
- 3. Contact resistance: 30mΩ

Shell size	7 size		
Contact arrangement			
N0. of pins	4	6	8

**Part number**

GL25- 7 T P -8 P \*

Model: Indicates the HR25 Series

Shell size: Indicates the outer diameter of the engaging portion of the Plug

Classification of lock mechanism: Indicated as described below  
T: Screw lock system No symbol: Push-pull lock system

Classification of shell P: Plug J: Jack R: Receptacle

Number of contacts

Form of contacts: As described below  
P: Male contacts S: Female contacts

Type of contacts: The wiring system used or the type of contacts are classified in alphabetical order:  
Example None: Solder termination  
C: Crimp-style contacts  
A: PCB dip termination

8	护套/Bushing: PTU Black
7	线夹/Collet: 黄铜Brass
6	螺丝/Screw: 黄铜镀镍/Brass Nickel Plated
5	公针/Pin : 黄铜镀金/Brass gold plated
4	绝缘体/Insulator: PA66+GF, Black
3	固定环/Retaining ring : 黄铜镀镍/Brass Nickel Plated
2	外壳/Body: 黄铜镀镍/Brass Nickel Plated
1	外壳/Shell: 黄铜镀镍/Brass Nickel Plated
ITEM	SPECIFICATION

	SCALE	TOLERANCES ARE: DECIMALES · X ± 0.3 · XX ± 0.15	ANGLES ±
	F		
SHEET	DIMENSION	APPROVALS	DATE
1 OF 1	MM	APPROVED:	
DWG NO.	REV.	CHECKED:	
GL25	A0	CHECKED:	
		DRAWN:	

TITLE: Plug(Solder type)	
PART NO. GL25-7TP-8P	REV. *
<b>Linconn Etc Tech Co.,LTD</b>	