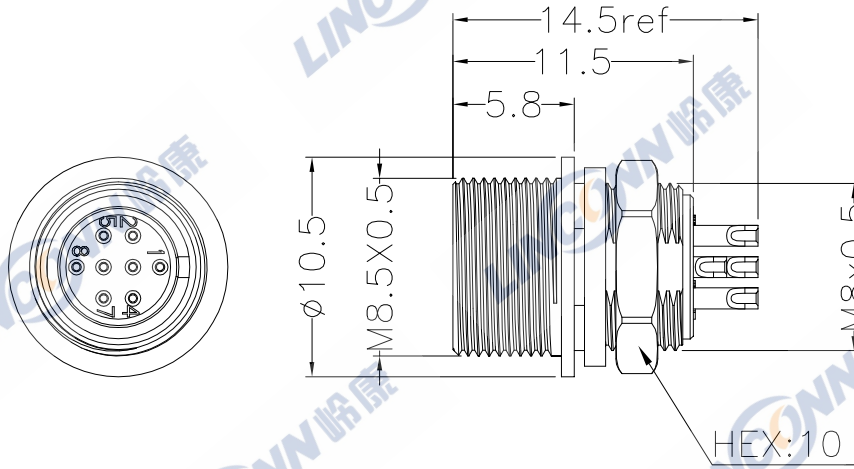
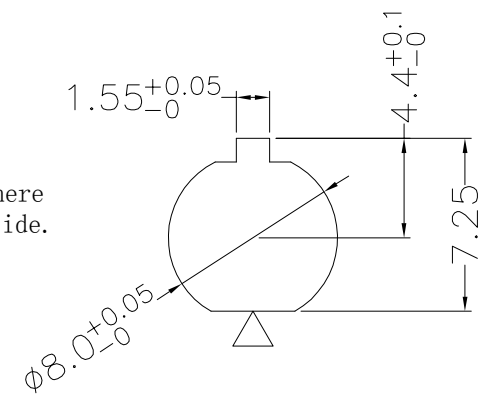


ECN	REV	DESCRIPTION	DATE	APPROVED



Recommended mounting hole

Mounting hole dimension shown here is tight by hexagon nut from back side.



Part number

GL25-7TR-8S*

Model:Indicates the HR25 Series

Shell size:Indicates the outer diameter of the engaging portion of the Plug

Classification of lock mechanism:Indicated as described below

T:Screw lock system No symbol:Push-pull lock system

Classification of shell P:Plug J:Jack R:Receptacle

Number of contacts

Form of contacts:As described below

P:Male contacts S:Female contacts

Type of contacts:The wiring system used or the type of contacts are classified in alphabetical order:

- Example None:Solder termination
- C:Crimp-style contacts
- A:PCB dip termination

Shell size	7 size		
Contact arrangement			
NO. of pins	4	6	8
Withstand voltage	100V AC for 1minute		
Current capacity	1A		
Contact resistance	30mΩ		

5	母针/Female pin: 磷铜镀金/Phosphor copper, gold plated
4	绝缘体/Insulator:PA66+GF, Black
3	垫圈/Locking washer: 不锈钢/Stainless Steel
2	六角螺母/Hexagonal nut: 黄铜镀镍/Brass, Nickel plated
1	外壳/Shell: 锌合金镀镍/Zinc alloy Nickel Plated

	SCALE	TOLERANCES ARE: DECIMALES · X± 0.3 · XX± 0.15	ANGLES ±
	F		
SHEET	DIMENSION	APPROVALS	DATE
1 OF 1	MM	APPROVED:	
DWG NO.	REV.	CHECKED:	
GL25	A0	CHECKED:	
		DRAWN:	

TITLE: Receptacle(Solder type)	
PART NO. GL25-7TR-8S	REV. *

ITEM	SPECIFICATION
------	---------------

LINCONN Linconn Etc Tech Co.,LTD

由 Autodesk 教育版产品制作

由 Autodesk 教育版产品制作