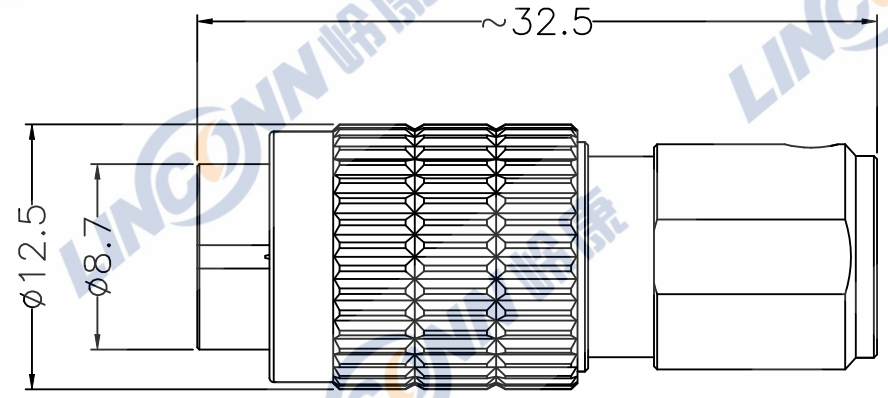
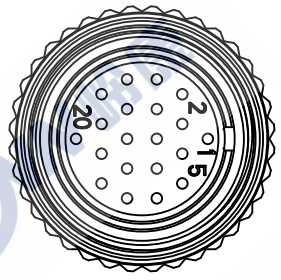
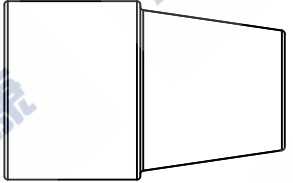


ECN	REV	DESCRIPTION	DATE	APPROVED




8	护套/Bushing: PTU Black
7	线夹/Collet: 黄铜Brass
6	螺丝/Screw: 黄铜镀镍/Brass Nickel Plated
5	针芯/Pin : 黄铜镀金/Brass gold plated
4	绝缘体/Insulator: PA66+GF, Black
3	固定环/Retaining ring : 黄铜镀镍/Brass Nickel Plated
2	外壳/Body: 黄铜镀镍/Brass Nickel Plated
1	外壳/Shell: 黄铜镀镍/Brass Nickel Plated
ITEM	SPECIFICATION


附件/Accessories



护套/Bushing



线夹/Collet



螺丝/Screw

	SCALE	TOLERANCES ARE:		TITLE: Plug(Solder type)
	F	DECIMALES	ANGLES	
SHEET	DIMENSION	APPROVALS	DATE	PART NO.
1 OF 1	MM	APPROVED:		GL25-9TP-20S
DWG NO.	REV.	CHECKED:		REV.
GL25	A0	CHECKED:		*
		DRAWN: pengsen	06/01/2020	