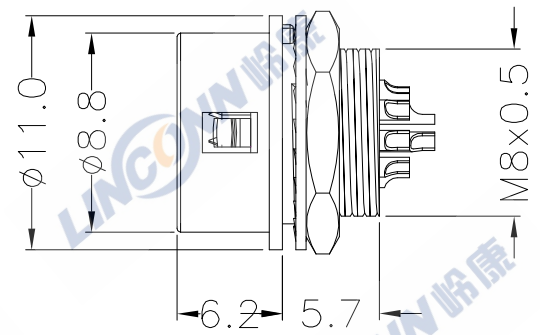
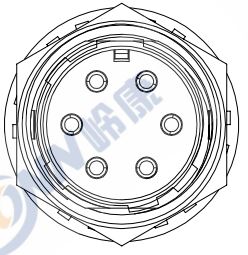
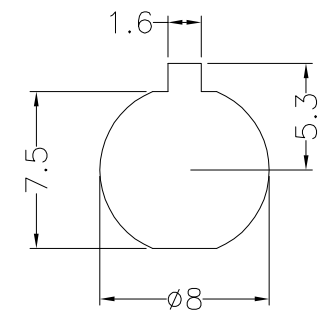


ECN	REV	DESCRIPTION	DATE	APPROVED



Recommended mounting hole

Mounting hole dimension shown here is tight by hexagon nut from back side.



Part number GL10 A -7 R -6 P

Series name _____
 Type A:Low-cost model _____
 Shell size:Plug mating part outside diameter in mm _____
 Shell type P:Plug J:Jack R:Receptacle _____
 Number of contacts _____
 Type of terminal P:Male terminal S:Female terminal _____

技术特性/Technical Characteristics

- 1.寿命/Durability: >500 mate/unmate cycles
- 2.额定电流/Current rating : 2A
- 3.接触电阻/Contact resistance:10mΩ
- 4.绝缘电阻/Insulation resistance : 100MΩ
- 5.温度等级/Rated Temperature: -20°C,+80°C
- 6.盐雾/Corrosion Resistance: Salt spray test>48h

Shell size	7 size		
Contact arrangement			
NO. of pins	4	5	6

5	公针/Pin :黄铜镀金/Brass gold plated
4	绝缘体/Insulator:PA66+GF, Black
3	垫圈/Locking washer: 不锈钢/Stainless Steel
2	六角螺母/Hexagonal nut: 黄铜镀镍/Brass, Nickel plated
1	外壳/Shell: 锌合金镀镍/Zinc alloy Nickel Plated

SHEET	SCALE	TOLERANCES ARE: DECIMALES ANGLES		TITLE: Receptacle(Solder type)	
	F	· X±0.3 · XX±0.15		PART NO. GL10A-7R-6P	
1 OF 1	DIMENSION	APPROVALS	DATE	REV. *	
DWG NO.	REV.	APPROVED:			
	A0	CHECKED:			
		CHECKED:			
		DRAWN: pengsen	10/23/2021	LINCONN Linconn Etc Tech Co.,LTD	

ITEM	SPECIFICATION
------	---------------

由 Autodesk 教育版产品制作

由 Autodesk 教育版产品制作