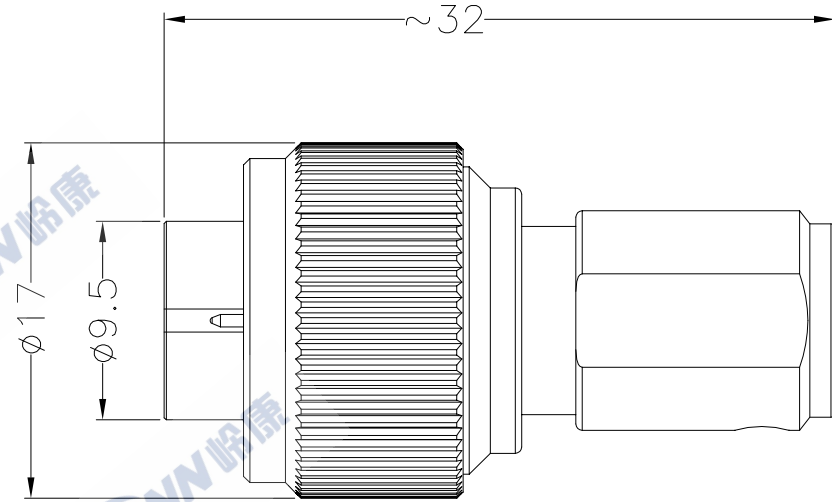
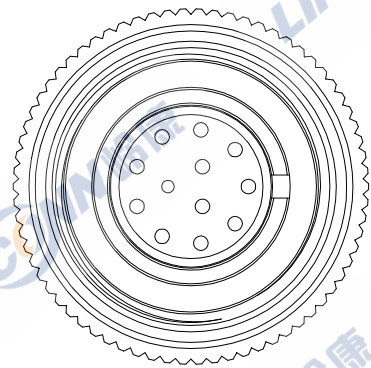


ECN	REV	DESCRIPTION	DATE	APPROVED



7	护套/Bushing: PTU Black
6	线夹/Collet: 黄铜Brass
5	螺丝/Screw: 黄铜镀镍/Brass Nickel Plated
4	公针/Pin : 黄铜镀金/Brass gold plated
3	绝缘体/Insulator: PA66+GF, Black
2	外壳/Body: 黄铜镀镍/Brass Nickel Plated
1	外壳/Shell: 黄铜镀镍/Brass Nickel Plated
ITEM	SPECIFICATION

	SCALE	TOLERANCES ARE: DECIMALES · X ± 0.3 · XX ± 0.15	ANGLES ±
	F		
SHEET	DIMENSION	APPROVALS	DATE
1 OF 1	MM	APPROVED:	
DWG NO.	REV.	CHECKED:	
	A0	DRAWN:	pengsen 06/01/2020

TITLE: Plug(Solder type)	
PART NO. GL10A-10TP-12P	REV. *
Linconn Etc Tech Co.,LTD	

由 Autodesk 教育版产品制作

由 Autodesk 教育版产品制作