

ECN	REV	DESCRIPTION	DATE	APPROVED

1) OB系列推拉自锁连接器简介

OB series connectors provide the following main features:

- security of the Push-Pull self-latching system -multipole types 2 to 9 contacts
- solder, crimp or print contacts (straight or elbow) -high packing density for space savings
- multiple key options to avoid cross mating -keying system (<G>key standard) of similar connectors for connector alignment
- 360° screening for full EMC shielding.

2) 技术特性/Technical Characteristics

使用环境/Environment: 室内/Indoor
 接口密封/Ingress protection: IP50
 温度等级/Rated Temperature: -25° ,+150°
 寿命/Durability: >500 mate/unmate cycles
 盐雾/Corrosion Resistance: Salt spray test>144h

3) 編碼原則/Part Number

固定式插座/Fixed socket TLEGG OB 304 C L L

主型號/Key System (I)

針數/Pin Number (II)

焊接式/Sold Type

绝缘体/PPS Insulator

外壳/Outer Shell

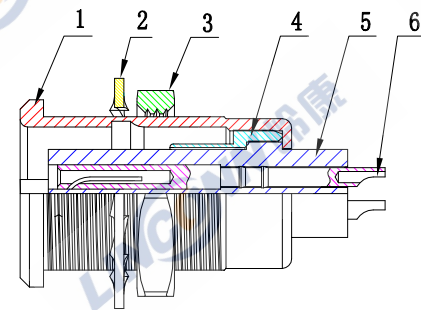
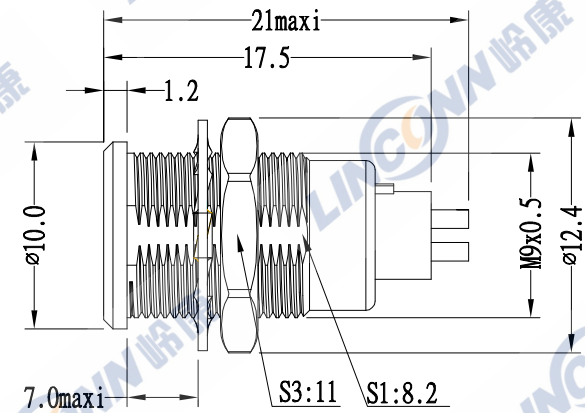
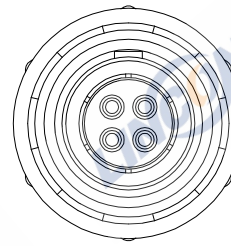
4) 編碼說明/Part number example

定位銷/Key System (I)

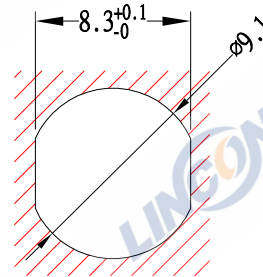
KEY LAYOUT	鍵位/Key Type	G	A	B	C	D	E	F	J	K	L
	鍵位/Key	1	2	2	2	2	2	2	2	2	2
	外壳型号/Type	TLEGG	TLEGA	TLEGB	TLEGC	TLEGD	TLEGE	TLEGF	TLEGJ	TLE GK	TLEGL
	角度/Angle	0°	30°	60°	90°	135°	145°	155°	45°	70°	80°
		/	α			β			γ		

針數/Pin Number (II)

系列/Series	302	303	304	305	306	307	309
孔位排列/Pin Number							
接觸直徑/ Pin size	0.9mm	0.9mm	0.7mm	0.7mm	0.5mm	0.5mm	0.5mm
適配線纜/Conductor size	20AWG	20AWG	22AWG	22AWG	28AWG	28AWG	28AWG
額定電流/Rated current	10A	8A	7A	6.5A	2.5A	2.5A	2A



5) 面板開孔尺寸/Hole Size



6	母針芯/Pin: 磷銅鍍金/Phosphor copper, Gold plated
5	绝缘体/Insulator: PPS
4	接地环/Earthing crown: 黃銅鍍鎳/Brass, Nickel plated
3	六角螺母/Hexagonal nut: 黃銅鍍鎳/Brass, Nickel plated
2	墊圈/Locking washer: SUS 301
1	外壳/Outer Shell: 黃銅鍍鎳/Brass, Chrome plated
序号 ITEM	名稱 & 規格/Name & DESCRIPTION

SHEET	SCALE	TOLERANCES ARE:	
	DIMENSION	DECIMALES	ANGLES
1 OF 1	MM	$\begin{matrix} x \pm \\ . x \pm \end{matrix}$	$\begin{matrix} \pm \\ \pm \end{matrix}$
DWG NO.	REV.	APPROVALS	DATE
TLEGG0B	A0	APPROVED:	
		CHECKED:	
		CHECKED:	
		DRAWN:	pengsen 26/02/2020

TITLE: 固定式插座/Fixed socket
 PART NO. TLEGG OB 304 CLL REV. *
 LINCINN Linconn Etc Tech Co.,LTD