

ECN	REV	DESCRIPTION	DATE	APPROVED

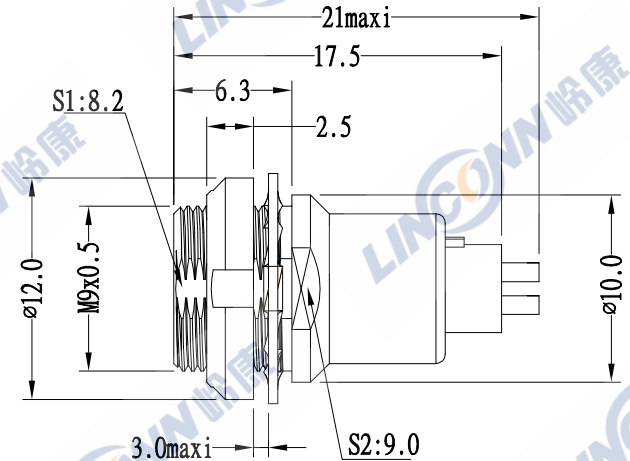
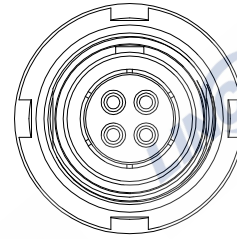
### 1) OB系列推拉自锁连接器简介

OB series connectors provide the following main features:

- security of the Push-Pull self-latching system -multipole types 2 to 9 contacts
- solder, crimp or print contacts (straight or elbow) -high packing density for space savings
- multiple key options to avoid cross mating -keying system (<G>key standard) of similar connectors for connector alignment
- 360° screening for full EMC shielding.

### 2) 技术特性/Technical Characteristics

使用环境/Environment: 室内/Indoor  
 接口密封/Ingress protection: IP50  
 温度等级/Rated Temperature: -25° ,+150°  
 寿命/Durability: >500 mate/unmate cycles  
 盐雾/Corrosion Resistance: Salt spray test>144h



### 3) 編碼原則/Part Number

固定式插座/Fixed socket TLEEG OB 304 C L L



### 4) 编码说明/Part number example

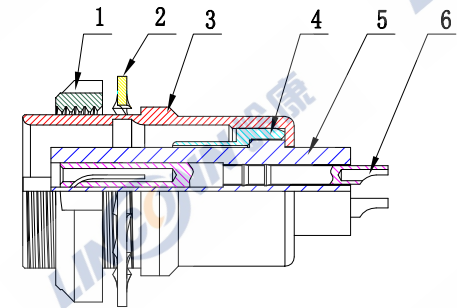
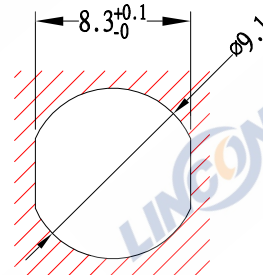
定位銷/Key System (I)

KEY LAYOUT	键位/Key Type	G	A	B	C	D	E	F	J	K	L
	键位/Key	1	2	2	2	2	2	2	2	2	2
	外壳型号/Type	TLECG	TLECA	TLECB	TLECC	TLECD	TLECE	TLECF	TLECG	TLECK	TLECL
	角度/Angle	0°	30°	60°	90°	135°	145°	155°	45°	70°	80°
		/	α			β			γ		

針數/Pin Number (II)

系列/Series	302	303	304	305	306	307	309
孔位排列/Pin Number							
接觸直徑/Pin size	0.9mm	0.9mm	0.7mm	0.7mm	0.5mm	0.5mm	0.5mm
適配線纜/Conductor size	20AWG	20AWG	22AWG	22AWG	28AWG	28AWG	28AWG
額定電流/Rated current	10A	8A	7A	6.5A	2.5A	2.5A	2A

### 5) 面板開孔尺寸/Hole Size



6	母針芯/Pin: 磷銅鍍金/Phosphor copper, Gold plated
5	绝缘体/Insulator: PPS
4	接地环/Earthing crown: 黃銅鍍鎳/Brass, Nickel plated
3	外壳/Outer shell: 黃銅鍍鉻/Brass, Chrome plated
2	墊圈/Locking washer: SUS 301
1	開槽螺母/Notched nut: 黃銅鍍鉻/Brass, Chrome plated
序号 ITEM	名称 & 规格/Name & DESCRIPTION

SHEET	SCALE	TOLERANCES ARE:	
	F	DECIMALES	ANGLES
1 OF 1	DIMENSION	$\begin{matrix} x \pm \\ . x \pm \end{matrix}$	$\pm$
DWG NO.	REV.	APPROVALS	DATE
TLEGOB	A0	APPROVED:	
		CHECKED:	
		CHECKED:	
		DRAWN: pengsen	26/02/2020

TITLE:	固定式插座/Fixed socket	
PART NO.	TLEEG OB 304 CLL	REV. *
<b>LINCONN</b> Linconn Etc Tech Co.,LTD		