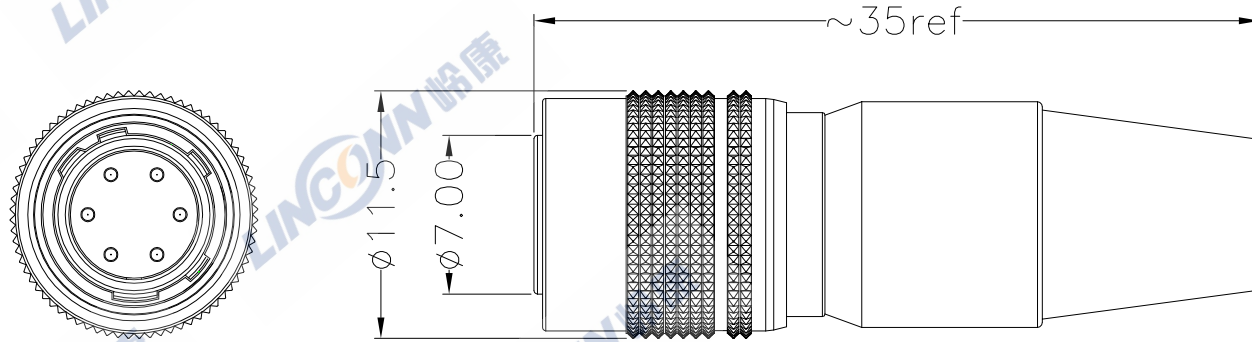


ECN	REV	DESCRIPTION	DATE	APPROVED



Shell size	7 size		
Contact arrangement			
N0. of pins	4	5	6

Part number **GL10 A - 7 P - 6 P**

Series name _____
 Type A: Low-cost model _____
 Shell size: Plug mating _____
 part outside diameter in mm _____
 Shell type P: Plug J: Jack R: Receptacle _____
 Number of contacts _____
 Type of terminal P: Male terminal S: Female terminal _____

技术特性/Technical Characteristics

1. 寿命/Durability: >500 mate/unmate cycles
2. 额定电流/Current rating: 2A
3. 接触电阻/Contact resistance: 10mΩ
4. 绝缘电阻/Insulation resistance: 100MΩ
5. 温度等级/Rated Temperature: -20°C, +80°C
6. 盐雾/Corrosion Resistance: Salt spray test >48h

9	护套/Bushing: PTU Black
8	线夹/Collet: 黄铜Brass
7	螺丝/Screw: 黄铜镀镍/Brass Nickel Plated
6	公针/Pin : 黄铜镀金/Brass gold plated
5	绝缘体/Insulator: PA66+GF, Black
4	弹簧/Spring : 不锈钢/Stainless Steel
3	插头外壳/Plug Shell: 锌合金镀镍/Zinc alloy Nickel Plated
2	外壳/Body: 黄铜镀镍/Brass Nickel Plated
1	外壳/Shell: 黄铜镀镍/Brass Nickel Plated
ITEM	SPECIFICATION

	SCALE	TOLERANCES ARE: DECIMALES ANGLES	
	F	±	
SHEET	DIMENSION	APPROVALS	DATE
1 OF 1	MM	APPROVED:	
DWG NO.	REV.	CHECKED:	
	A0	DRAWN:	pengsen 10/23/2021

TITLE: Plug(Solder type)	
PART NO. GL10A-7P-6P	REV. *
LINCONN Linconn Etc Tech Co.,LTD	

由 Autodesk 教育版产品制作

由 Autodesk 教育版产品制作