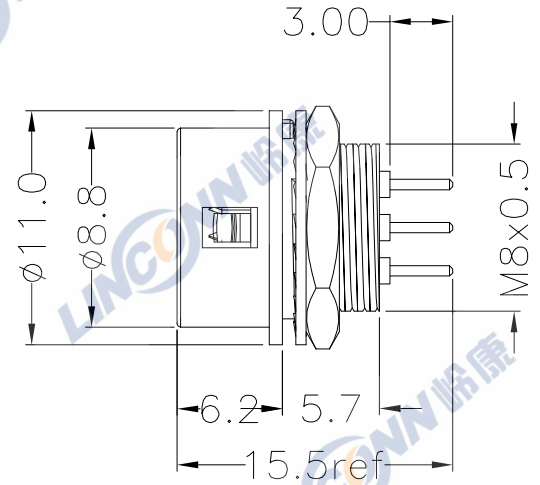
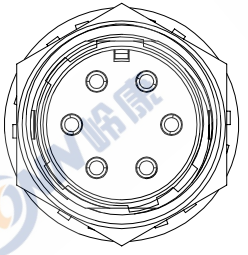
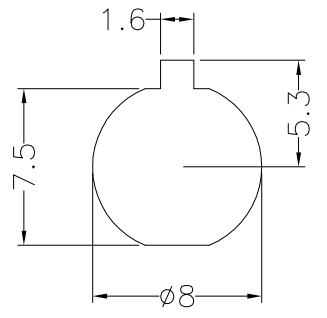


ECN	REV	DESCRIPTION	DATE	APPROVED



Recommended mounting hole

Mounting hole dimension shown here is tight by hexagon nut from back side.



Part number GL10 A -7 R -6 P A

Series name _____
 Type A:Low-cost model _____
 Shell size:Plug mating part outside diameter in mm _____
 Shell type P:Plug J:Jack R:Receptacle _____
 Number of contacts _____
 Type of terminal P:Male terminal S:Female terminal _____
 Type of contacts:The wiring system used or the type of contacts are classified in alphabetical order: _____
 Example A:PCB dip termination

技术特性/Technical Characteristics

- 1.寿命/Durability: >500 mate/unmate cycles
- 2.额定电流/Current rating: 2A
- 3.接触电阻/Contact resistance:10mΩ
- 4.绝缘电阻/Insulation resistance: 100MΩ
- 5.温度等级/Rated Temperature: -20°C,+80°C
- 6.盐雾/Corrosion Resistance: Salt spray test>48h

由 Autodesk 教育版产品制作

Shell size	7 size		
Receptacle Dip Post Configuration Dimensions			
NO. of pins	4	5	6

5	公针/Pin :黄铜镀金/Brass gold plated
4	绝缘体/Insulator:PA66+GF, Black
3	垫圈/Locking washer: 不锈钢/Stainless Steel
2	六角螺母/Hexagonal nut: 黄铜镀镍/Brass, Nickel plated
1	外壳/Shell: 锌合金镀镍/Zinc alloy Nickel Plated

	SCALE	TOLERANCES ARE: DECIMALES ANGLES · X± 0.3 · XX± 0.15
	F	
SHEET	DIMENSION	APPROVALS
1 OF 1	MM	DATE
DWG NO.	REV.	CHECKED:
	A0	DRAWN: pengsen

TITLE: Receptacle (Dip type)	
PART NO. GL10A-7R-6PA	REV. *
Linconn Etc Tech Co.,LTD	

ITEM	SPECIFICATION
------	---------------

由 Autodesk 教育版产品制作