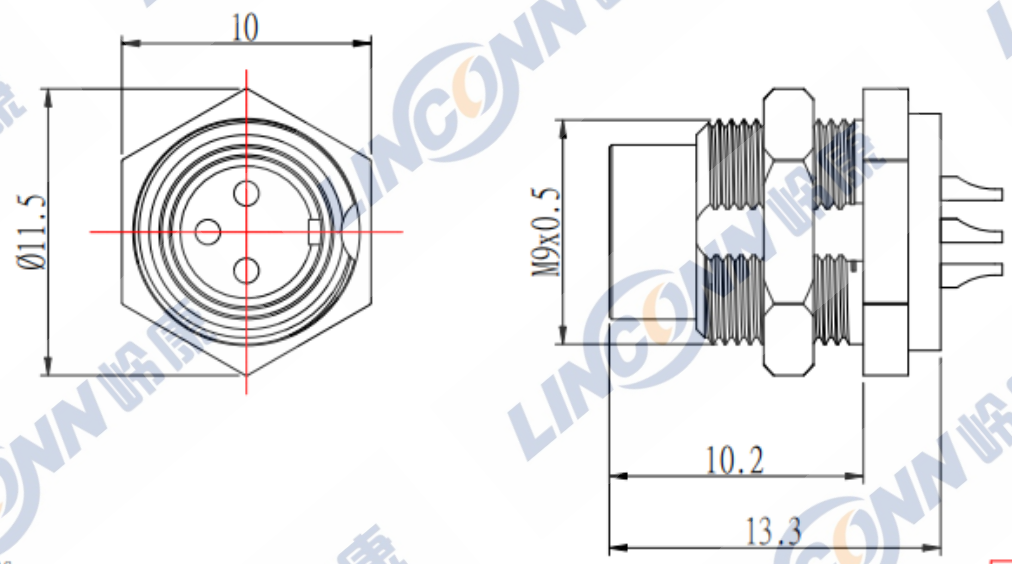
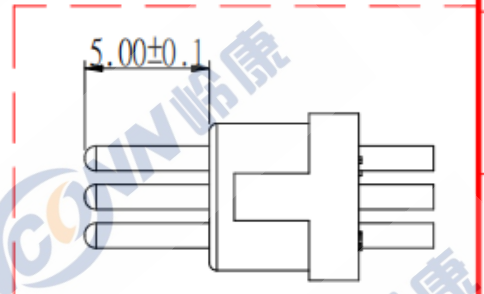


ECN	REV	DESCRIPTION	DATE	APPROVED



技术特性/Technical Characteristics

- 1.寿命/Durability: >500 mate/unmate cycles
- 2.Pin接触电阻/ Pin Contact Resistance:  $\leq 10 \text{ m}\Omega$
- 3.绝缘电阻/Insulation Resistance:  $\geq 100 \text{ M}\Omega$
- 4.温度等级/Rated Temperature:  $-25^\circ\text{C}, +80^\circ\text{C}$
- 5.耐蚀/Corrosion Resistance: Salt spray test, >48h



5	密封圈/O-RING: Rubber
4	六角螺母/Hexagonal nut: 黄铜镀镍/Brass, Nickel plated
3	外壳/Outer Shell: 锌合金镀镍/ Zinc Alloy, Nickel plated
2	公针芯/PIN: 黄铜镀金/Brass, G/F
1	绝缘体/Insulator: PA BLACK
序号 ITEM	名称 & 规格/Name & Description

	SCALE	TOLERANCES ARE: DECIMALES	ANGLES
	F	$\pm 0.2$ $\pm 0.1$	$\pm$
SHEET	DIMENSION	APPROVALS	DATE
1 OF 1	MM	APPROVED:	
DWG NO.	REV.	CHECKED:	
M9F	AO	CHECKED:	
		DRAWN: pengsen	03/11/2022

TITLE: M9 3Pin male socket	
PART NO.	REV. *
Linconn Etc Tech Co.,LTD	