

A	B	C	D	E	F	G	H	I	J	
						ECN	REV	DESCRIPTION	DATE	APPROVED

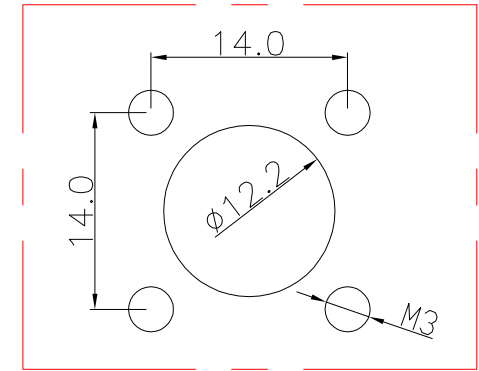
1. 芯数/NO. of contacts

系列/Series	303	304	305	306	308	312	317
孔位排列/Pin Number							
适配线缆/Conductor size	22AWG	22AWG	22AWG	24AWG	24AWG	26AWG	26AWG
导体直径/Pin size	1.0mm	1.0mm	1.0mm	0.8mm	0.8mm	0.6mm	0.6mm
额定电流/Rated current	4A	4A	4A	2A	2A	1A	1A
额定电压/Rated voltage	250V	250V	60V	30V	30V	30V	30V

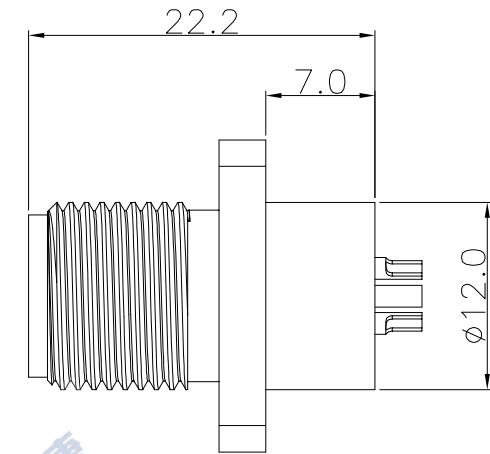
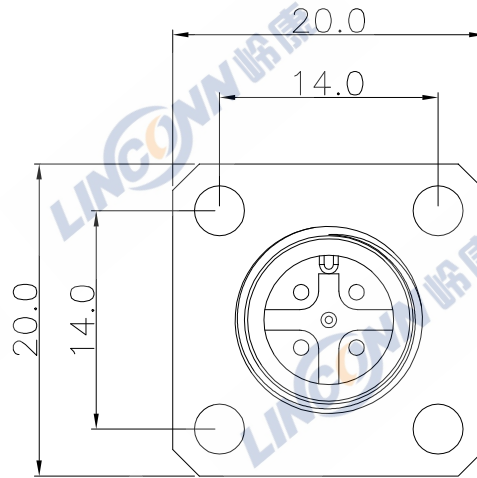
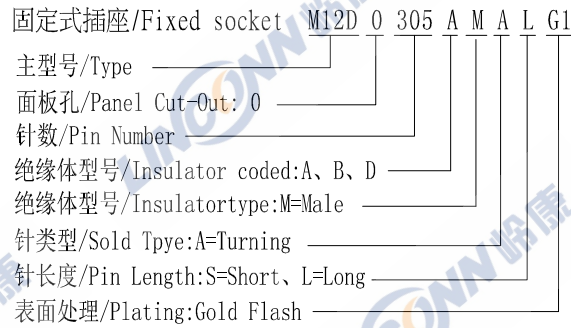
2. 绝缘体型号/Insulator Coded

Coded	A	B	D
型号			

3. 面板开孔/RECOMMENDED PANEL CUT-OUT



4. 编码原则/Part Number



5. 技术特性/Technical Characteristics

- 寿命/Durability: >500 mate/unmate cycles
- Pin接触电阻/ Pin Contact Resistance: ≤10 mΩ
- 绝缘电阻/Insulation Resistance: ≥ 100 MΩ
- 温度等级/Rated Temperature: -25° C, +80° C
- 盐雾/Corrosion Resistance: Salt spray test, >48h
- 防水等级/Waterproof: IP67

3	外壳/Outer Shell: 黄铜镀镍/Brass, Nickel plated		SCALE	TOLERANCES ARE: DECIMALES X ± 0.2 .XX ± 0.1	ANGLES ±	TITLE: 固定式插座/Fixed socket	
2	绝缘体/Insulator: PA BLACK		F			APPROVALS	DATE
1	公针芯/PIN: 黄铜镀金/Brass, G/F	SHEET	DIMENSION	APPROVED:		LINGCONN Linconn Etc Tech Co.,LTD	
序号ITEM	名称 & 规格/Name & Description	1 OF 1	MM	CHECKED:			
		DWG NO. M12D	REV. A0	CHECKED:			
				DRAWN: S.peng	03/24/2014		