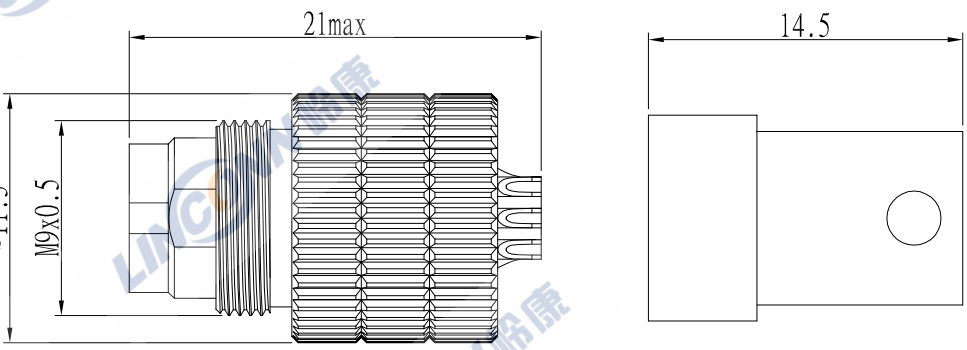
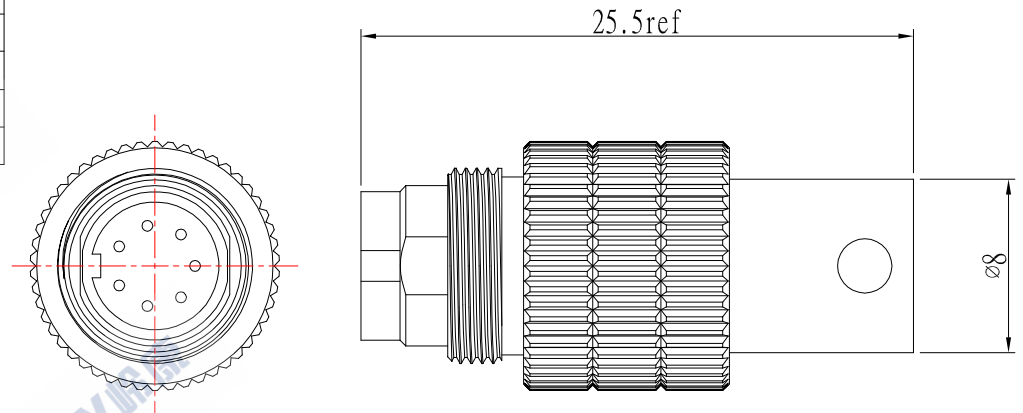


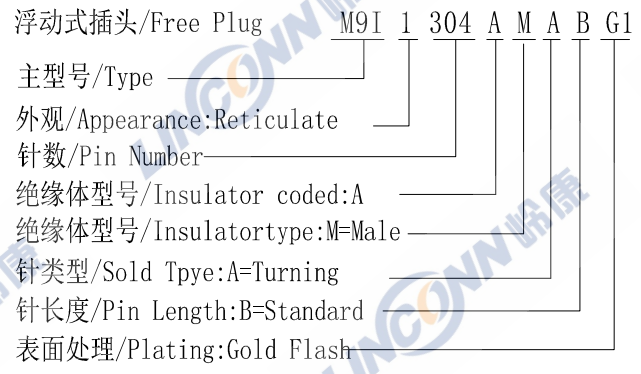
ECN	REV	DESCRIPTION	DATE	APPROVED

1. 芯数/NO. of contacts

系列/Series	302	303	304	305	307	308
孔位排列/Pin Number						
适配线缆/Conductor size	24AWG	24AWG	24AWG	24AWG	26AWG	26AWG
导体直径/Pin size	1.0mm	1.0mm	1.0mm	1.0mm	0.5mm	0.5mm
额定电流/Rated current	4A	4A	3A	3A	1A	1A
额定电压/Rated voltage	125V	125V	125V	125V	125V	125V



3. 编码原则/Part Number



4. 技术特性/Technical Characteristics

1. 寿命/Durability: >500 mate/unmate cycles
2. Pin接触电阻/ Pin Contact Resistance : ≤10 mΩ
3. 绝缘电阻/Insulation Resistance : ≥ 100 MΩ
4. 温度等级/Rated Temperature: -25°C,+80°C
5. 盐雾/Corrosion Resistance: Salt spray test,>48h
6. 防水等级/Waterproof: IP67

4	屏蔽壳/Shield Shell: 黄铜镀镍/Brass, Nickel plated
3	外壳/Outer Shell: 黄铜镀镍/Brass, Nickel plated
2	公针芯/PIN: 黄铜镀金/Brass , G/F
1	绝缘体/Insulator: PA BLACK
序号ITEM	名称 & 规格/Name & Description

	SCALE	TOLERANCES ARE: DECIMALES ANGLES	
	F	±	
SHEET	DIMENSION	APPROVALS	DATE
1 OF 1	MM	APPROVED:	
DWG NO.	REV.	CHECKED:	
M9I	A0	CHECKED:	
		DRAWN: pengsen	06/08/2020

TITLE: 浮动式插头/Free Plug

PART NO. M9I1307AMABG1

REV. *

LINCONN Linconn Elc Tech Co.,LTD