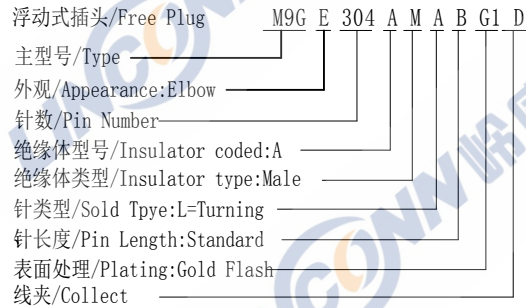


ECN	REV	DESCRIPTION	DATE	APPROVED

1. 芯数/NO. of contacts

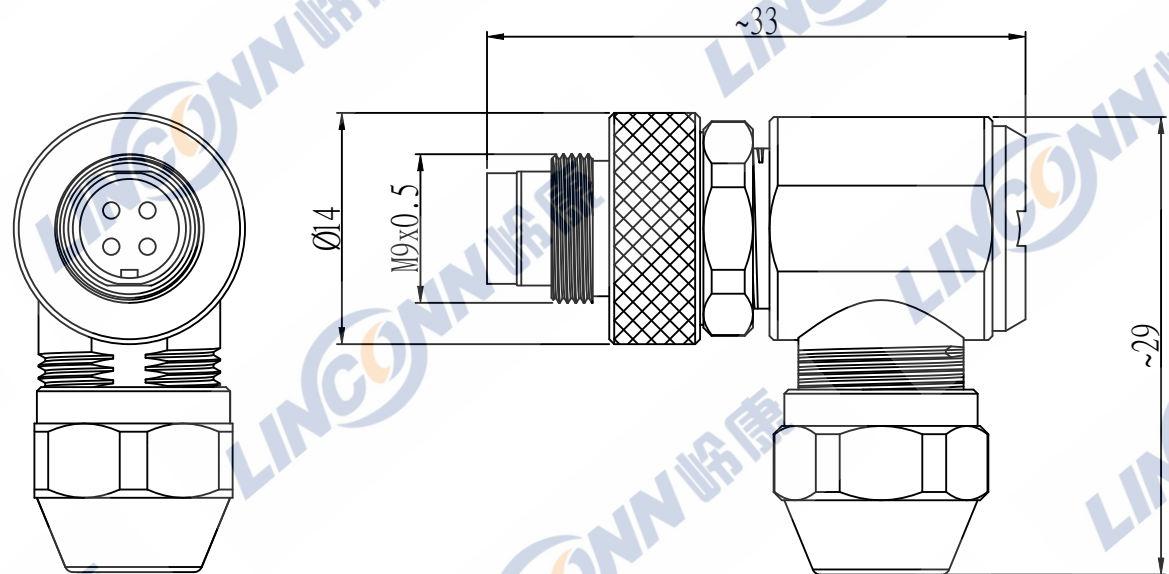
系列/Series	302	303	304	305	307	308
孔位排列/Pin Number						
适配线缆/Conductor size	24AWG	24AWG	24AWG	24AWG	26AWG	26AWG
导体直径/Pin size	1.0mm	1.0mm	1.0mm	1.0mm	0.5mm	0.5mm
额定电流/Rated current	4A	4A	3A	3A	1A	1A
额定电压/Rated voltage	125V	125V	125V	125V	125V	125V

3. 编码原则/Part Number



4. 技术特性/Technical Characteristics

1. 寿命/Durability: >1000 mate/unmate cycles
2. Pin接触电阻/ Pin Contact Resistance: ≤10 mΩ
3. 绝缘电阻/Insulation Resistance: ≥ 100 MΩ
4. 温度等级/Rated Temperature: -25° C, +80° C
5. 盐雾/Corrosion Resistance: Salt spray test, >48h
6. 防水等级/Waterproof: IP67



8	尾螺帽/Collect Nut: 黄铜镀镍/Brass, Nickel plated
7	线夹/Collect: PA BLACK
6	外壳/Outer Shell: 锌合金镀镍/ Zinc Alloy, Nickel plated
5	六角固定座/Hexagonal Screw: 黄铜镀镍/Brass, Nickel plated
4	密封圈/O-RING: Rubber
3	M9 外壳/M9 Outer Shell: 黄铜镀镍/Brass, Nickel plated
2	公针芯/PIN: 黄铜镀金/Brass, G/F
1	绝缘体/Insulator: PA BLACK
序号/ITEM	名称 & 规格/Name & Description

	SCALE	TOLERANCES ARE:		TITLE: 浮动式插头/Free Plug
	F	DECIMALES x± x±	ANGLES ±	
SHEET	DIMENSION	APPROVALS	DATE	PART NO. M9GE304AMABG1D
1 OF 1	MM	APPROVED:		REV. *
DWG NO. M9G	REV. A0	CHECKED:		Linconn Elc Tech Co.,LTD
		CHECKED:		
		DRAWN: pengsen	06/08/2020	