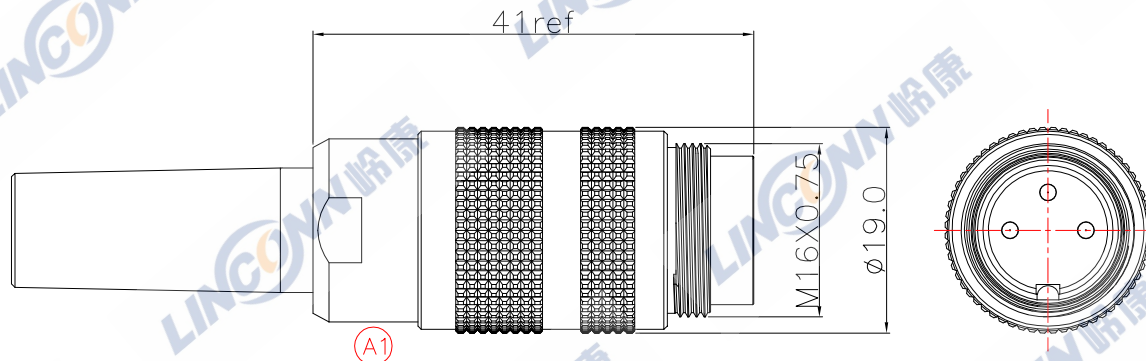
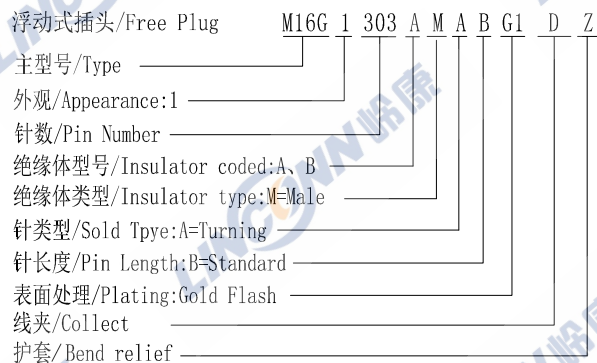


ECN	REV	DESCRIPTION	DATE	APPROVED
	A1	AL-->PA66	05/07/2021	

1. 芯数/NO. of contacts

系列/Series	303A	304A	305A	306A	307B	308A	312A	314B	319A
孔位排列/Pin Number									
适配线缆/Conductor size	0.75mm ²	0.75mm ²	0.75mm ²	0.75mm ²	0.75mm ²	0.75mm ²	0.25mm ²	0.25mm ²	0.25mm ²
导体直径/Pin size	1.5mm	1.5mm	1.5mm	1.5mm	1.5mm	1.5mm	1.0mm	1.0mm	1.0mm
额定电流/Rated current	7A	6A	6A	5A	5A	5A	3A	3A	3A
额定电压/Rated voltage	250V	250V	250V	250V	125V	60V	60V	60V	60V

2. 编码原则/Part Number



3. 技术特性/Technical Characteristics

- 寿命/Durability: >500 mate/unmate cycles
- Pin接触电阻/ Pin Contact Resistance: ≤10 mΩ
- 绝缘电阻/Insulation Resistance: ≥ 100 MΩ
- 温度等级/Rated Temperature: -25° C, +80° C
- 盐雾/Corrosion Resistance: Salt spray test, >48h
- 防水等级/Waterproof: IP40

6	护套/Bend Relief: TPU
5	尾螺帽/Collect Nut: PA66
4	线夹/Collect: 锌合金镀镍/ Zinc Alloy, Nickel plated
3	M16 外壳/M16 Outer Shell: 黄铜镀镍/Brass, Nickel plated
2	公针芯/PIN: 黄铜镀金/Brass, G/F
1	绝缘体/Insulator: PA BLACK
序号/ITEM	名称 & 规格/Name & Description

	SCALE	TOLERANCES ARE: DECIMALS ANGLES X± ± ·X±	
	F		
SHEET	DIMENSION	APPROVALS	DATE
1 OF 1	MM	APPROVED:	
DWG NO.	REV.	CHECKED:	
M16G	A1	CHECKED:	
		DRAWN:	pengsen 05/07/2021

TITLE: 浮动式插头/Free Plug	
PART NO. M16G1303AMABG1DZ	REV. *
LINCONN Linconn Etc Tech Co.,LTD	