

ECN	REV	DESCRIPTION	DATE	APPROVED

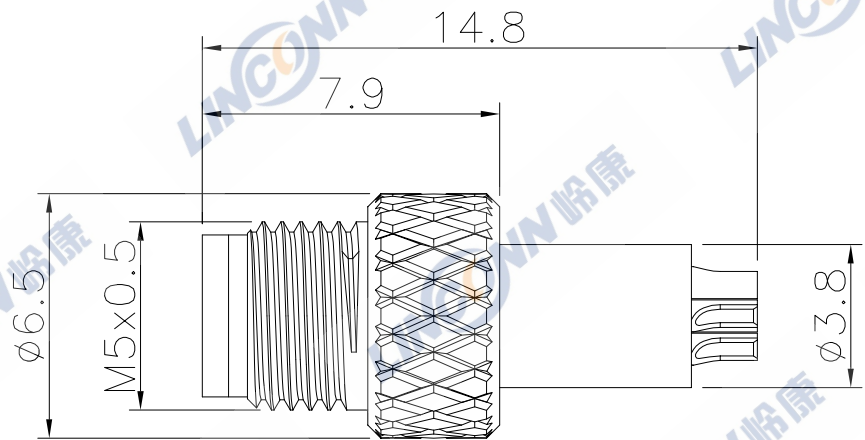
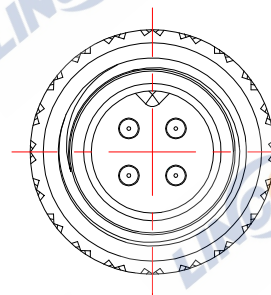
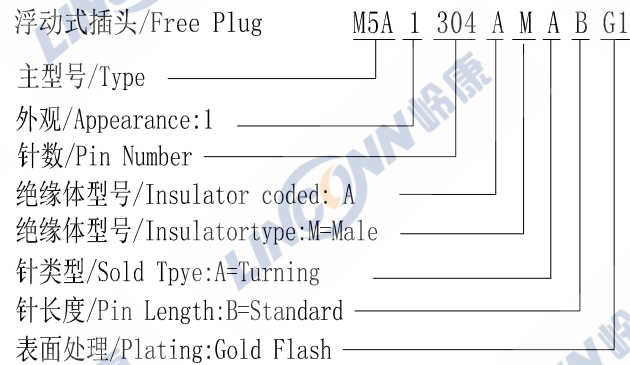
1. 芯数/NO. of contacts

系列/Series	303	304
孔位排列/Pin Number		
适配线缆/Conductor size	26AWG	26AWG
导体直径/Pin size	0.5mm	0.5mm
额定电流/Rated current	1A	1A
额定电压/Rated voltage	60V	60V

2. 绝缘体型号/Insulator Coded

Coded	A
型号	

3. 编码原则/Part Number



4. 技术特性/Technical Characteristics

1. 寿命/Durability: >500 mate/unmate cycles
2. Pin接触电阻/ Pin Contact Resistance: $\leq 10 \text{ m}\Omega$
3. 绝缘电阻/Insulation Resistance: $\geq 100 \text{ M}\Omega$
4. 温度等级/Rated Temperature: $-20^\circ\text{C}, +80^\circ\text{C}$
5. 盐雾/Corrosion Resistance: Salt spray test, >48h
6. 防水等级/Waterproof: IP67

3	外壳/Outer Shell: 黄铜镀镍/Brass, Nickel plated		SCALE	TOLERANCES ARE: DECIMALES · X±0.2 · XX±0.1	ANGLES ±	TITLE: 浮动式插头/Free Plug	
2	公针芯/PIN: 黄铜镀金/Brass, G/F		F			APPROVALS	DATE
1	绝缘体/Insulator: PA BLACK	SHEET	DIMENSION	APPROVED:	CHECKED:	LINCINN Linconn Etc Tech Co.,LTD	
序号ITEM	名称 & 规格/Name & Description	1 OF 1	MM	CHECKED:	DRAWN: S.peng	03/24/2014	
		DWG NO. M5A	REV. A0				