

ECN	REV	DESCRIPTION	DATE	APPROVED

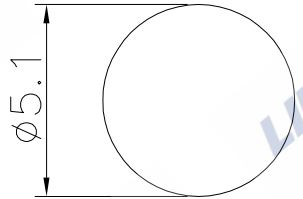
1. 芯数/NO. of contacts

系列/Series	303	304
孔位排列/Pin Number		
导体直径/Pin size	0.5mm	0.5mm
额定电流/Rated current	1A	1A
额定电压/Rated voltage	60V	60V

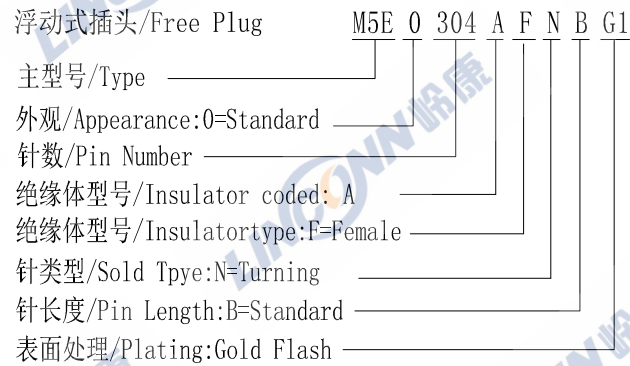
2. 绝缘体型号/Insulator Coded

Coded	A
型号	

3. 面板开孔/RECOMMENDED PANEL CUT-OUT

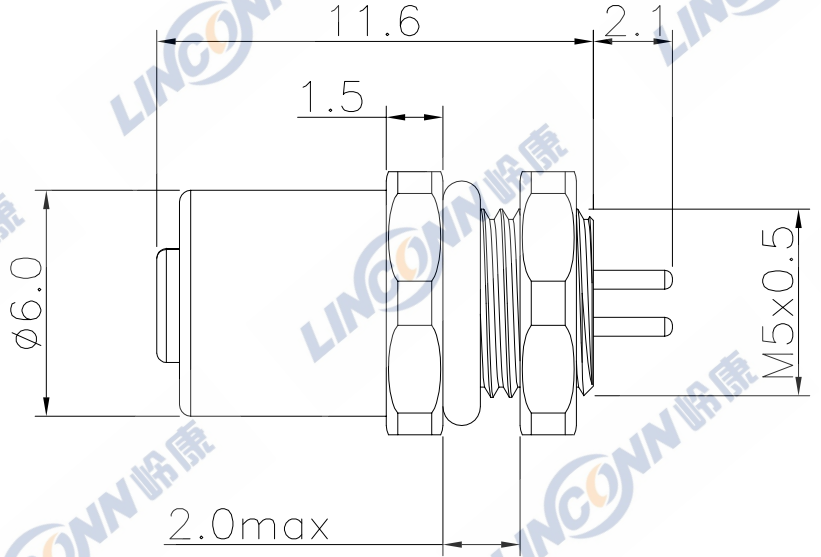
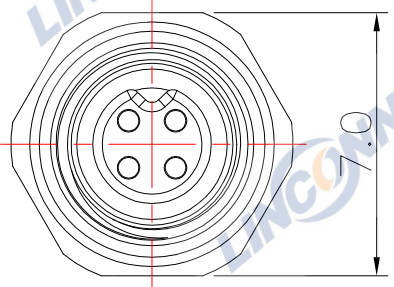


4. 编码原则/Part Number



5. 技术特性/Technical Characteristics

1. 寿命/Durability: >500 mate/unmate cycles
2. Pin接触电阻/ Pin Contact Resistance: ≤10 mΩ
3. 绝缘电阻/Insulation Resistance: ≥ 100 MΩ
4. 温度等级/Rated Temperature: -20°C,+80°C
5. 盐雾/Corrosion Resistance: Salt spray test,>48h
6. 防水等级/Waterproof: IP67



5	六角螺母/Hexagonal nut: 黄铜镀镍/Brass,Nickel plated
4	母针芯/PIN: 磷铜镀金/Phosphor copper, G/F
3	外壳/Outer Shell: 黄铜镀镍/Brass,Nickel plated
2	密封圈/O-RING: Rubber
1	绝缘体/Insulator: PA BLACK
序号ITEM	名称 & 规格/Name & Description

SCALE		TOLERANCES ARE:		TITLE:	
F <td>DECIMALES</td> <td>ANGLES</td> <td colspan="2">固定式插座/Fixed socket</td>		DECIMALES	ANGLES	固定式插座/Fixed socket	
DIMENSION <td>x ± 0.2</td> <td>±</td> <td colspan="2">PART NO. M5E0304AFNBG1</td>		x ± 0.2	±	PART NO. M5E0304AFNBG1	
APPROVALS <td colspan="2">DATE <td colspan="2">REV. *</td> </td>		DATE <td colspan="2">REV. *</td>		REV. *	
APPROVED:		DATE		*	
CHECKED:		DATE		*	
DRAWN: S.peng		03/24/2014		*	

DWG NO. M5E		REV. A0		LINCINN Linconn Elc Tech Co.,LTD	
-------------	--	---------	--	----------------------------------	--