

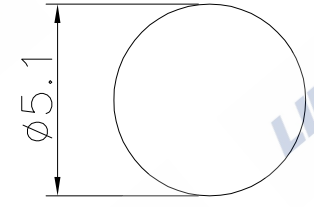
1. 芯数/NO. of contacts

系列/Series	303	304
孔位排列/Pin Number		
导体直径/Pin size	0.5mm	0.5mm
额定电流/Rated current	1A	1A
额定电压/Rated voltage	60V	60V

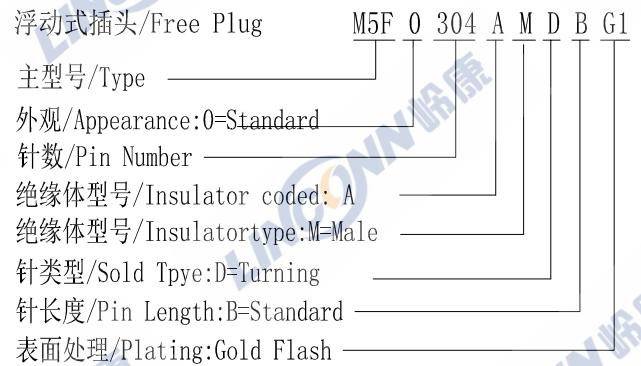
2. 绝缘体型号/Insulator Coded

Coded	A
型号	

3. 面板开孔/RECOMMENDED PANEL CUT-OUT



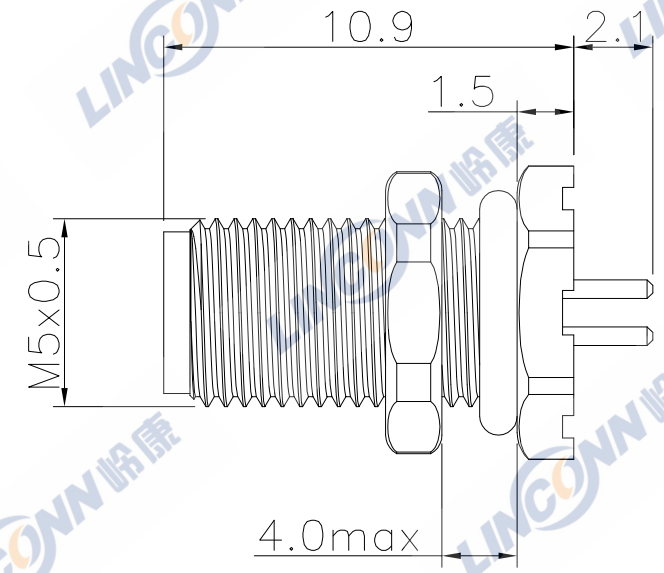
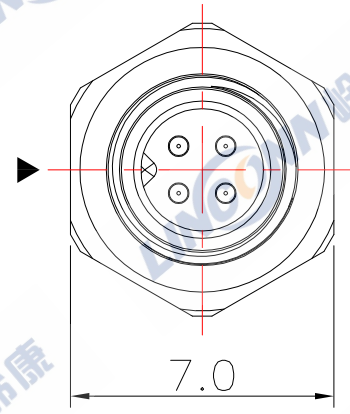
4. 编码原则/Part Number



“▼” Insulator key

5. 技术特性/Technical Characteristics

1. 寿命/Durability: >500 mate/unmate cycles
2. Pin接触电阻/ Pin Contact Resistance: $\leq 10 \text{ m}\Omega$
3. 绝缘电阻/Insulation Resistance: $\geq 100 \text{ M}\Omega$
4. 温度等级/Rated Temperature: $-20^\circ\text{C}, +80^\circ\text{C}$
5. 盐雾/Corrosion Resistance: Salt spray test, >48h
6. 防水等级/Waterproof: IP67



5	六角螺母/Hexagonal nut: 黄铜镀镍/Brass, Nickel plated
4	密封圈/O-RING: Rubber
3	外壳/Outer Shell: 黄铜镀镍/Brass, Nickel plated
2	公针芯/PIN: 黄铜镀金/Brass, G/F
1	绝缘体/Insulator: PA BLACK
序号ITEM	名称 & 规格/Name & Description

	SCALE	TOLERANCES ARE: DECIMALES · X ± 0.2 · XX ± 0.1	ANGLES ±
	F		
SHEET	DIMENSION	APPROVALS	DATE
1 OF 1	MM	APPROVED:	
DWG NO.	REV.	CHECKED:	
M5F	A0	DRAWN:	S.peng 03/24/2014

TITLE: 固定式插座/Fixed socket	
PART NO. M5F0304AMDBG1	REV. *
LINCONN Linconn Elc Tech Co.,LTD	