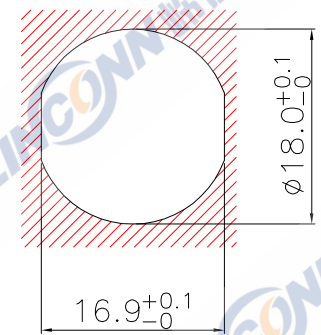


ECN	REV	DESCRIPTION	DATE	APPROVED

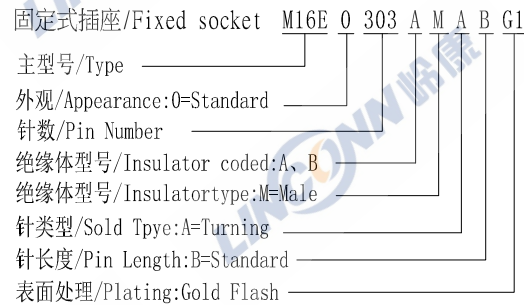
1. 芯数/NO. of contacts

系列/Series	303A	304A	305A	306A	307B	308A	312A	314B	319A
孔位排列/Pin Number									
适配线缆/Conductor size	0.75mm ²	0.75mm ²	0.75mm ²	0.75mm ²	0.75mm ²	0.75mm ²	0.25mm ²	0.25mm ²	0.25mm ²
导体直径/Pin size	1.5mm	1.5mm	1.5mm	1.5mm	1.5mm	1.5mm	1.0mm	1.0mm	1.0mm
额定电流/Rated current	7A	6A	6A	5A	5A	5A	3A	3A	3A
额定电压/Rated voltage	250V	250V	250V	250V	125V	60V	60V	60V	60V

4. 面板开孔/RECOMMENDED PANEL CUT-OUT

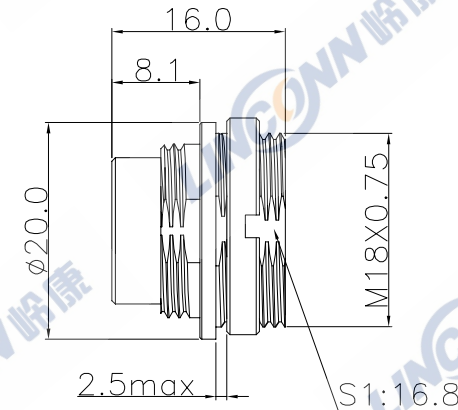
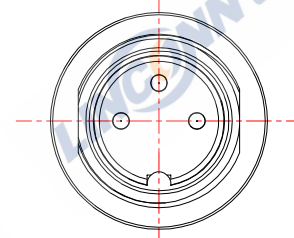


2. 编码原则/Part Number



3. 技术特性/Technical Characteristics

1. 寿命/Durability: >500 mate/unmate cycles
2. Pin接触电阻/ Pin Contact Resistance: ≤10 mΩ
3. 绝缘电阻/Insulation Resistance: ≥ 100 MΩ
4. 温度等级/Rated Temperature: -25° C, +80° C
5. 盐雾/Corrosion Resistance: Salt spray test, >48h
6. 防水等级/Waterproof: IP40



4	螺母/Nut: 黄铜镀镍/Brass, Nickel plated	 SCALE F	TOLERANCES ARE: DECIMALES ANGLES x± ± .x± ±		TITLE: 固定式插座/Fixed socket	
3	外壳/Outer Shell: 锌合金镀镍/ Zinc Alloy, Nickel plated		SHEET DIMENSION	APPROVALS	DATE	PART NO. M16E0303AMABG1
2	公针芯/PIN: 黄铜镀金/Brass, G/F	1 OF 1	MM	APPROVED:		
1	绝缘体/Insulator: PA BLACK	DWG NO. M16E	REV. A0	CHECKED:		
序号/ITEM	名称 & 规格/Name & Description			DRAWN: S.peng	07/05/2016	LINCONN Linconn Etc Tech Co.,LTD