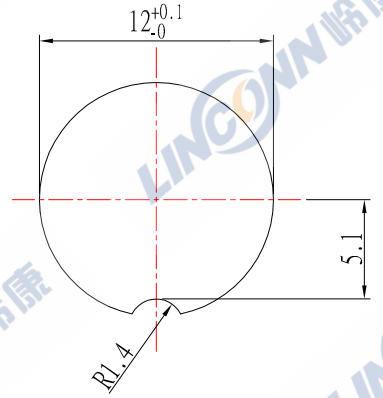


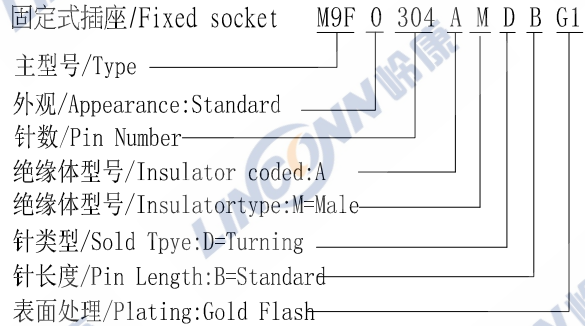
1. 芯数/NO. of contacts

系列/Series	302	303	304	305	307	308
Pin 排列/Pin Assignment PCB 孔位/PCB Layout (Front View)						
导体直径/Pin size	1.0mm	1.0mm	1.0mm	1.0mm	0.5mm	0.5mm
额定电流/Rated current	4A	4A	3A	3A	1A	1A
额定电压/Rated voltage	125V	125V	125V	125V	125V	125V

2. 面板开孔/RECOMMENDED PANEL CUT-OUT

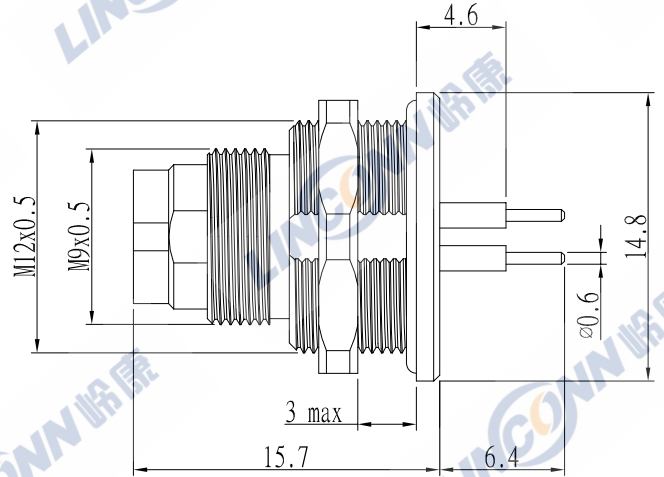
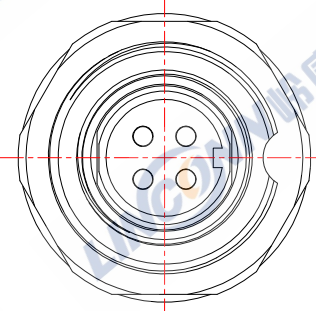


4. 编码原则/Part Number



5. 技术特性/Technical Characteristics

1. 寿命/Durability: >500 mate/unmate cycles
2. Pin接触电阻/ Pin Contact Resistance: ≤10 mΩ
3. 绝缘电阻/Insulation Resistance: ≥ 100 MΩ
4. 温度等级/Rated Temperature: -25°C,+80°C
5. 盐雾/Corrosion Resistance: Salt spray test,>48h
6. 防水等级/Waterproof: IP67



5	密封圈/O-RING: Rubber
4	六角螺母/Hexagonal nut: 黄铜镀镍/Brass,Nickel plated
3	外壳/Outer Shell: 黄铜镀镍/Brass,Nickel plated
2	公针芯/PIN: 黄铜镀金/Brass ,G/F
1	绝缘体/Insulator: PA BLACK
序号ITEM	名称 & 规格/Name & Description

SHEET	SCALE	TOLERANCES ARE: DECIMALES X ± 0.2 .XX ± 0.1	ANGLES ±
	F		
1 OF 1	DIMENSION	APPROVALS	DATE
	MM	APPROVED:	
DWG NO.	REV.	CHECKED:	
M9F	A0	CHECKED:	
		DRAWN: pengsen	06/08/2020

TITLE: 固定式插座/Fixed socket	
PART NO. M9F0304AMDBG1	REV. *
LINCONN Linconn Etc Tech Co.,LTD	