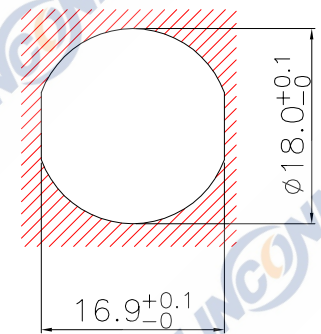


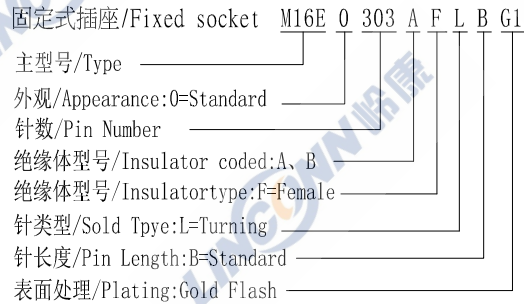
1. 芯数/NO. of contacts

| 系列/Series           | 303A                | 304A                | 305A                | 306A                | 307B                | 308A                | 312A                | 314B                | 319A                |
|---------------------|---------------------|---------------------|---------------------|---------------------|---------------------|---------------------|---------------------|---------------------|---------------------|
| 孔位排列/Pin Number     |                     |                     |                     |                     |                     |                     |                     |                     |                     |
| 适配线缆/Conductor size | 0.75mm <sup>2</sup> | 0.75mm <sup>2</sup> | 0.75mm <sup>2</sup> | 0.75mm <sup>2</sup> | 0.75mm <sup>2</sup> | 0.75mm <sup>2</sup> | 0.25mm <sup>2</sup> | 0.25mm <sup>2</sup> | 0.25mm <sup>2</sup> |
| 导体直径/Pin size       | 1.5mm               | 1.5mm               | 1.5mm               | 1.5mm               | 1.5mm               | 1.5mm               | 1.0mm               | 1.0mm               | 1.0mm               |
| 额定电流/Rated current  | 7A                  | 6A                  | 6A                  | 5A                  | 5A                  | 5A                  | 3A                  | 3A                  | 3A                  |
| 额定电压/Rated voltage  | 250V                | 250V                | 250V                | 250V                | 125V                | 60V                 | 60V                 | 60V                 | 60V                 |

4. 面板开孔/RECOMMENDED PANEL CUT-OUT

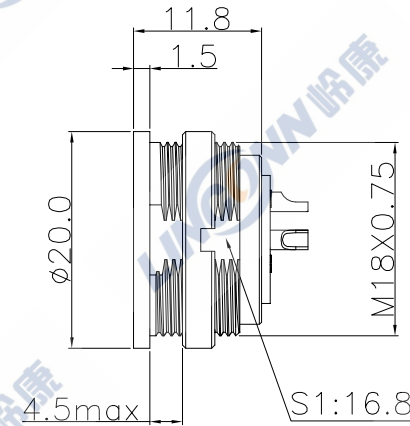
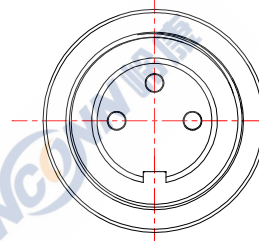


2. 编码原则/Part Number



3. 技术特性/Technical Characteristics

1. 寿命/Durability: >500 mate/unmate cycles
2. Pin接触电阻/ Pin Contact Resistance: ≤10 mΩ
3. 绝缘电阻/Insulation Resistance: ≥ 100 MΩ
4. 温度等级/Rated Temperature: -25° C, +80° C
5. 盐雾/Corrosion Resistance: Salt spray test, >48h
6. 防水等级/Waterproof: IP40



|        |                                                  |         |           |                                                                                                   |                           |                         |
|--------|--------------------------------------------------|---------|-----------|---------------------------------------------------------------------------------------------------|---------------------------|-------------------------|
| 4      | 螺母/nut: 黄铜镀镍/Brass, Nickel plated                |         | SCALE     | TOLERANCES ARE:<br>DECIMALES      ANGLES<br>$\begin{matrix} x \pm \\ \cdot \\ x \pm \end{matrix}$ | TITLE: 固定式插座/Fixed socket |                         |
| 3      | 外壳/Outer Shell: 锌合金镀镍/ Zinc Alloy, Nickel plated |         | F         |                                                                                                   |                           | PART NO. M16E0303AFLBG1 |
| 2      | 母针芯/PIN: 磷铜镀金/Phosphor copper, G/F               | SHEET   | DIMENSION | APPROVALS                                                                                         | DATE                      |                         |
| 1      | 绝缘体/Insulator: PA BLACK                          | 1 OF 1  | MM        | APPROVED:                                                                                         |                           |                         |
| 序号ITEM | 名称 & 规格/Name & Description                       | DWG NO. | REV.      | CHECKED:                                                                                          |                           |                         |
|        |                                                  | M16E    | A0        | DRAWN: S.peng                                                                                     | 07/05/2016                |                         |