

ECN	REV	DESCRIPTION	DATE	APPROVED

1) 2B系列推拉自锁连接器简介

2B series connectors provide the following main features:

- security of the Push-Pull self-latching system -multipole types 2 to 32 contacts
- solder, crimp or print contacts (straight or elbow) -high packing density for space savings
- multiple key options to avoid cross mating -keying system (<<key standard) of similar connectors for connector alignment
- 360° screening for full EMC shielding.

2) 技术特性/Technical Characteristics

使用环境/Environment: 室内/Indoor

接口密封/Ingress protection: IP50

温度等级/Rated Temperature: -25°, +150°

寿命/Durability: >500 mate/unmate cycles

盐雾/Corrosion Resistance: Salt spray test>144h

3) 编码原则/Part Number

插头/Plug TLFGG 2B 318 C L A D52 Z

主型号/Key System (I)

针数/Pin Number (II)

外壳/Outer Shell

绝缘体/PPS Insulator

护套/Bend relief

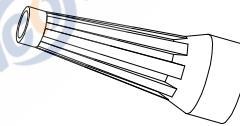
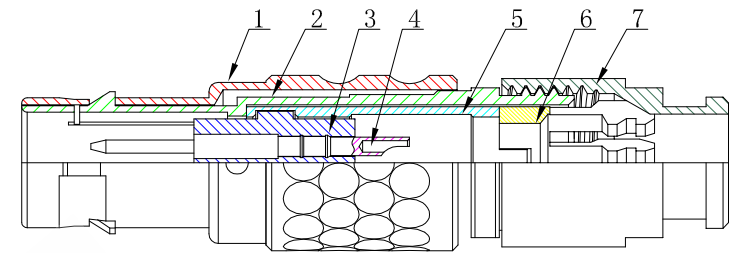
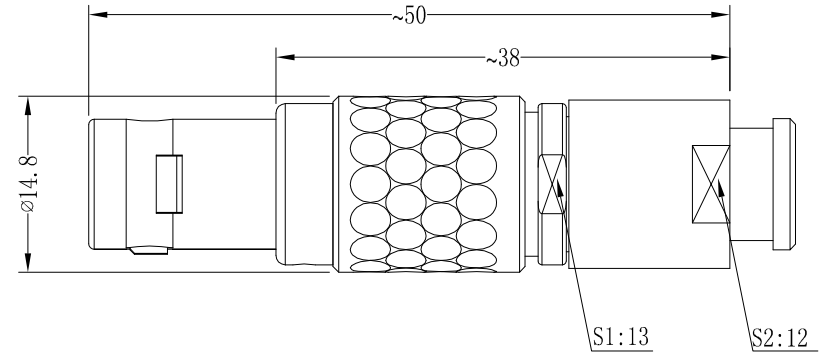
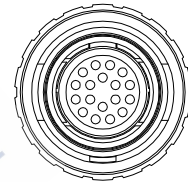
线夹/Collect (III)

焊接式/Sold Type

4) 编码说明/Part number example

定位销/Key System (I)

KEY LAYOUT	键位/Key Type	G	A	B	C	D	E	F	J	K	L	
	键位/Key	1	2	2	2	2	2	2	2	2	2	
	外壳型号/Type	TLFGG	TLFGA	TLFGB	TLFGC	TLFGD	TLFGE	TLFGF	TLFGJ	TLFGK	TLFGL	
	角度/Angle	0°	30°	45°	60°	95°	120°	145°	37.5°	52.5°	70°	
		/	α			γ		β		α		γ



护套/Bend relief
SCALE 1:2

线夹护套/Collect (III)

线夹代号/code	42	52	62	72	82	92
线径/Cable OD	3.5-4.0	4.1-5.0	5.1-6.0	6.1-7.0	7.1-8.0	8.1-9.0
线夹/Collect Size	4.2mm	5.2mm	6.2mm	7.2mm	8.2mm	9.2mm

7	尾螺帽/Collect Nut: 黄铜镀铬/Brass, Chrome plated
6	线夹/Collect: 黄铜镀镍/Brass, Nickel plated
5	固定片/Insulator Carrier: 黄铜镀镍/Brass, Nickel plated
4	公针芯/Pin: 黄铜镀金/Brass, Gold plated, 24AWG
3	绝缘体/Insulator: PPS
2	锁定套筒/Latch Sleeve: 黄铜镀镍/Copper, Nickel plated
1	外壳/Outer Shell: 黄铜镀铬/Brass, Chrome plated
序号 ITEM	名称 & 规格/Name & DESCRIPTION

针数/Pin Number (II)

系列/Series	302	303	304	305	306	307	308	310	312
孔位排列/Pin Number									
导体直径/Pin size	2.0mm	1.6mm	1.3mm	1.3mm	1.3mm	1.3mm	0.9mm	0.9mm	0.7mm
适配线缆/Conductor size	14AWG	16AWG	20AWG	20AWG	20AWG	20AWG	22AWG	22AWG	22AWG
额定电流/Rated current	25A	17.0A	15.0A	14.0A	12.0A	11.0A	10.0A	8.0A	7.0A

系列/Series	314	316	318	319	326	332
孔位排列/Pin Number						
导体直径/Pin size	0.7mm	0.7mm	0.7mm	0.7mm	0.5mm	0.5mm
适配线缆/Conductor size	22AWG	22AWG	22AWG	22AWG	28AWG	28AWG
额定电流/Rated current	6.5A	6.0A	5.5A	5.0A	2.0A	1.5A

SHEET	SCALE		TOLERANCES ARE:		DATE
	F		DECIMALES	ANGLES	
1 OF 2	DIMENSION		X±		PART NO.
DWG NO.	MM		±		
TLFGG2B	REV.		X±		* REV.
	A0		±		
			DRAWN: pengsen		26/02/2020

TITLE: 插头/Plug	
PART NO. TLFGG 2B 318 CLADZ	
Linconn Etc Tech Co.,LTD	