

ECN	REV	DESCRIPTION	DATE	APPROVED
-----	-----	-------------	------	----------

### 1) 2B系列推拉自锁连接器简介

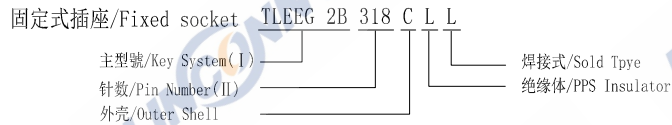
2B series connectors provide the following main features:

- security of the Push-Pull self-latching system -multipole types 2 to 32 contacts
- solder, crimp or print contacts (straight or elbow) -high packing density for space savings
- multiple key options to avoid cross mating -keying system (<<key standard) of similar connectors for connector alignment
- 360° screening for full EMC shielding.

### 2) 技术特性/Technical Characteristics

使用环境/Environment: 室内/Indoor  
 接口密封/Ingress protection: IP50  
 温度等级/Rated Temperature: -25°, +150°  
 寿命/Durability: >500 mate/unmate cycles  
 盐雾/Corrosion Resistance: Salt spray test>144h

### 3) 编码原则/Part Number



### 4) 编码说明/Part number example

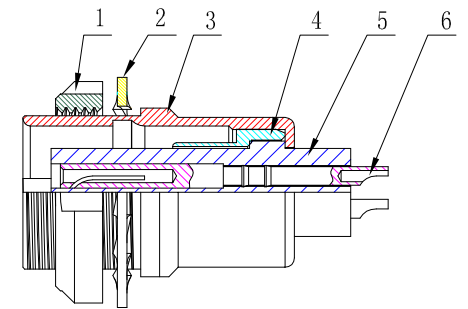
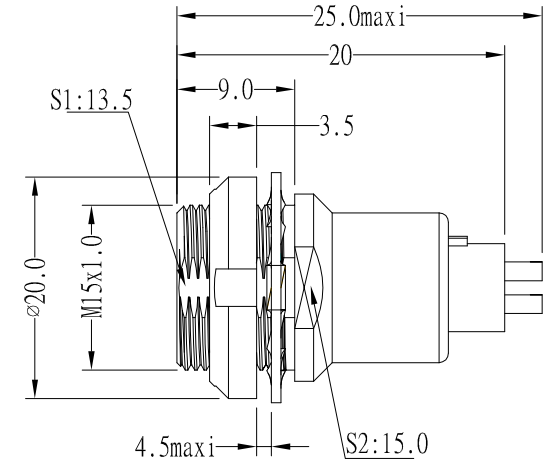
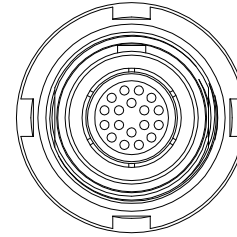
定位销/Key System (I)

KEY LAYOUT	键位/Key Type	G	A	B	C	D	E	F	J	K	L
	键位/Key	1	2	2	2	2	2	2	2	2	2
	外壳型号/Type	TLEEG	TLEEA	TLEEB	TLEEC	TLEED	TLEEE	TLEEF	TLEEJ	TLEEK	TLEEL
	角度/Angle	0°	30°	45°	60°	95°	120°	145°	37.5°	52.5°	70°
		/	α			γ	β		α		γ

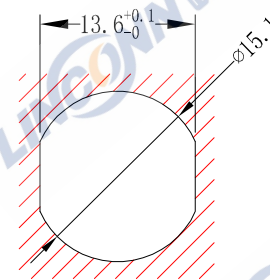
针数/Pin Number (II)

系列/Series	302	303	304	305	306	307	308	310	312
孔位排列/Pin Number									
导体直径/Pin size	2.0mm	1.6mm	1.3mm	1.3mm	1.3mm	1.3mm	0.9mm	0.9mm	0.7mm
适配线缆/Conductor size	14AWG	16AWG	20AWG	20AWG	20AWG	20AWG	22AWG	22AWG	22AWG
额定电流/Rated current	25A	17.0A	15.0A	14.0A	12.0A	11.0A	10.0A	8.0A	7.0A

系列/Series	314	316	318	319	326	332
孔位排列/Pin Number						
导体直径/Pin size	0.7mm	0.7mm	0.7mm	0.7mm	0.5mm	0.5mm
适配线缆/Conductor size	22AWG	22AWG	22AWG	22AWG	28AWG	28AWG
额定电流/Rated current	6.5A	6.0A	5.5A	5.0A	2.0A	1.5A



### 5) 面板开孔尺寸/Hole Size



6	母针芯/Pin: 磷铜镀金/Phosphor copper, Gold plated
5	绝缘体/Insulator: PPS
4	接地环/Earthing crown: 黄铜镀镍/Brass, Nickel plated
3	外壳/Outer shell: 黄铜镀铬/Brass, Chrome plated
2	垫圈/Locking washer: SUS 301
1	开槽螺母/Notched nut: 黄铜镀镍/Brass, Nickel plated
序号 ITEM	名称 & 规格/Name & DESCRIPTION

	SCALE	TOLERANCES ARE: DECIMALES ANGLES	
	F	±	
SHEET	DIMENSION	APPROVALS	DATE
1 OF 2	MM	APPROVED:	
DWG NO.	REV.	CHECKED:	
TLEEG2B	A0	CHECKED:	
		DRAWN: pengsen	26/02/2020

TITLE: 固定式插座/Fixed socket	
PART NO. TLEEG 2B 316 CLL	REV. *
Linconn Etc Tech Co.,LTD	