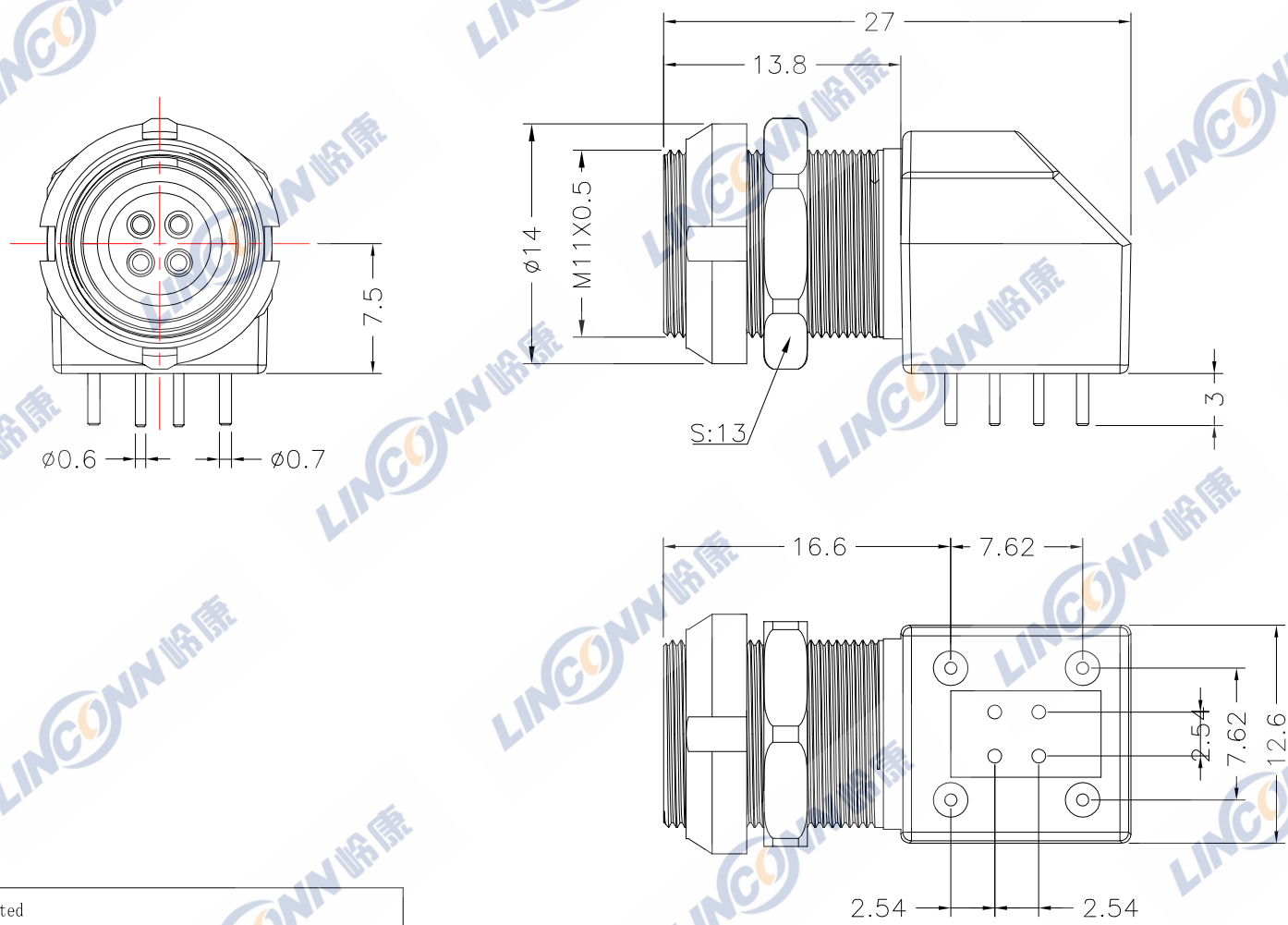


A B C D E F G H I J

ECN	REV	DESCRIPTION	DATE	APPROVED



7	母针芯/Pin: 磷铜镀金/Phosphor copper, Gold plated
6	绝缘体/Insulator: PPS
5	开槽螺母/Notched nut: 黄铜镀铬/Brass, Chrome plated
4	六角螺母/Hexagonal nut: 黄铜镀镍/Brass, Nickel plated
3	垫圈/Locking washer: SUS
2	接地环/Earthing crown: 黄铜镀镍/Brass, Nickel plated
1	外壳/Outer Shell: 黄铜镀铬/Brass, Chrome plated

	SCALE
	F
SHEET	DIMENSION
1 OF 1	MM
DWG NO.	REV.
EXG1B	A0

TOLERANCES ARE:	
DECIMALES	ANGLES
$\begin{matrix} x \pm \\ .x \pm \end{matrix}$	\pm
APPROVALS	DATE
APPROVED:	
CHECKED:	
CHECKED:	
DRAWN: S.peng	03/24/2014

TITLE: 固定式插座/Fixed socket	
PART NO. EXG 1B 304 HLN	REV. *
Linconn Elc Tech Co.,LTD	

序号 ITEM	名称 & 规格/Name & DESCRIPTION
------------	----------------------------

A B C D E F G H I J