

1) 2K系列推拉自锁连接器简介

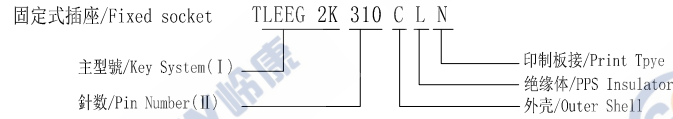
2K series connectors provide the following main features:

- security of the Push-Pull latching system -multipole types 2 to 32 contacts
- solder, crimp or print(straight or elbow)contacts -high packing density for space savings
- multiple key options to avoid cross mating -keying system (<>key standard)for connector alignment
- 360° screening for full EMC shielding
- rugged housing for extreme working conditions -watertight connection(IP67/IP66)

2) 技术特性/Technical Characteristics

- 使用环境/Environment: 室外/outdoor
 温度等级/Rated Temperature: -25° ,+150°
 寿命/Durability: >500 mate/unmate cycles
 盐雾/Corrosion Resistance: Salt spray test>144h
 防水等级/Protection index: IP67/IP66

3) 编码原则/Part Number



4) 编码说明/Part number example

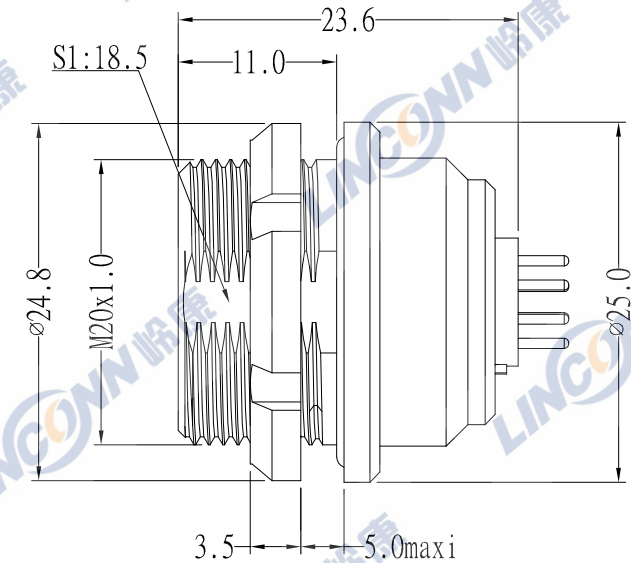
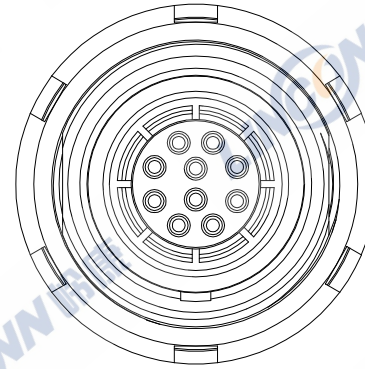
定位销/Key System(I)

KEY LAYOUT	键位/Key Type	G	A	B	C	D	E	F	L
	键位/Key	1	2	2	2	2	2	2	2
	外壳型号/Type	TLEEG	TLEEA	TLEEB	TLEEC	TLEED	TLEEE	TLEEF	TLEEL
	角度/Angle	0°	30°	45°	60°	95°	120°	145°	75°
		/		α			γ	β	

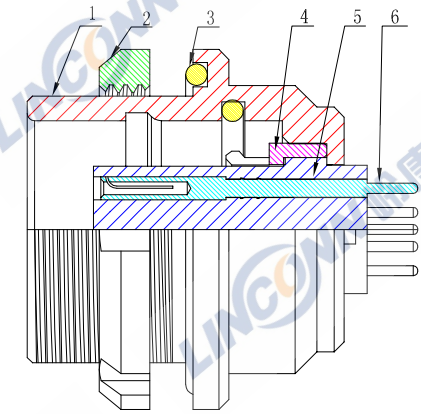
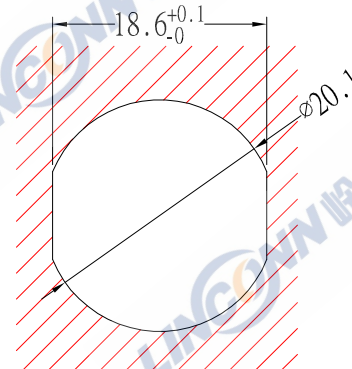
针数/Pin Number(II)

系列/Series	302	303	304	305	306	307	308	310	312
孔位排列/Pin Number									
导体直径/Pin size	2.0mm	1.6mm	1.3mm	1.3mm	1.3mm	1.3mm	0.9mm	0.9mm	0.7mm
适配线缆/Conductor size	14AWG	16AWG	20AWG	20AWG	20AWG	20AWG	22AWG	22AWG	22AWG
额定电流/Rated current	25A	17.0A	15.0A	14.0A	12.0A	11.0A	10.0A	8.0A	7.0A

系列/Series	314	316	318	319	326	332
孔位排列/Pin Number						
导体直径/Pin size	0.7mm	0.7mm	0.7mm	0.7mm	0.5mm	0.5mm
适配线缆/Conductor size	22AWG	22AWG	22AWG	22AWG	28AWG	28AWG
额定电流/Rated current	6.5A	6.0A	5.5A	5.0A	2.0A	1.5A



5) 面板開孔尺寸/Hole Size



6	母针芯/Pin: 磷铜镀金/Phosphor copper,Gold plated
5	绝缘体/Insulator: PPS
4	接地环/Earthing crown: 黄铜镀镍/Brass,Nickel plated
3	密封圈/O-RING: 橡胶/Rubber
2	开槽螺母/Notched nut: 黄铜镀铬/Brass,Chrome plated
1	外壳/Outer Shell: 黄铜镀铬/Brass,Chrome plated
序号 ITEM	名称 & 规格/Name & DESCRIPTION

	SCALE	TOLERANCES ARE: DECIMALES ANGLES x± x± .x± ±	
	F	APPROVALS	DATE
SHEET	DIMENSION	APPROVED:	
	1 OF 2	MM	
DWG NO.	REV.	CHECKED:	
TLEEG2K	A0	DRAWN: pengsen	26/02/2020

TITLE: 固定式插座/Fixed socket	
PART NO. TLEEG 2K 310 CLN	REV. *
LINCONN Linconn Elc Tech Co.,LTD	