

| ECN | REV | DESCRIPTION | DATE | APPROVED |
|-----|-----|-------------|------|----------|
|     |     |             |      |          |

1) 1K系列推拉自锁连接器简介

1K series connectors provide the following main features:

- security of the Push-Pull latching system -multipole types 2 to 16 contacts
- solder, crimp or print(straight or elbow)contacts -high packing density for space savings
- multiple key options to avoid cross mating -keying system (<G>key standard)for connector alignment
- 360° screening for full EMC shielding
- rugged housing for extreme working conditions -watertight connection(IP67/IP66)

2) 技术特性/Technical Characteristics

使用环境/Environment: 室外/outdoor

温度等级/Rated Temperature: -25°, +150°

寿命/Durability: >500 mate/unmate cycles

盐雾/Corrosion Resistance: Salt spray test>144h

防水等级/Protection index:IP67/IP66

Note:IP67 achieved providing that the cable is perfectly circular and that assembly process ensures a high integrity seal.

3) 编码原则/Part Number

固定式插座/Fixed socket TLEEG 1K 308 C L L

主型号/Key System (I)

针数/Pin Number (II)

焊接式/Sold Type  
绝缘体/PPS Insulator  
外壳/Outer Shell

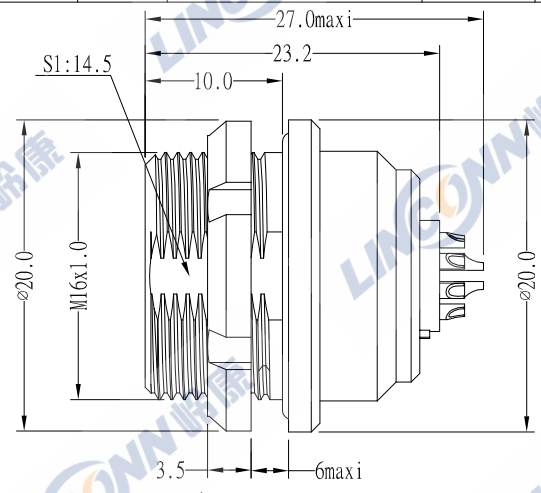
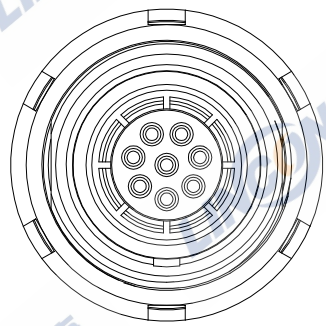
4) 编码说明/Part number example

定位销/Key System (I)

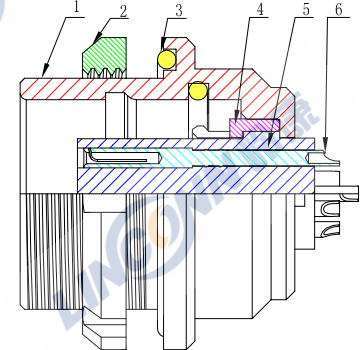
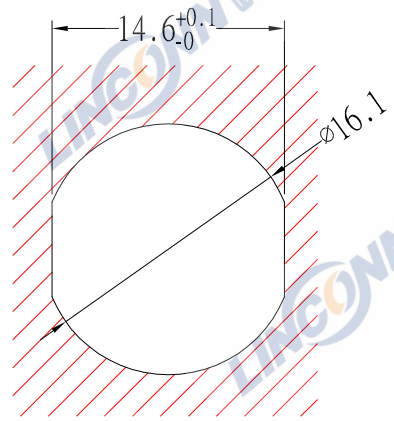
| KEY LAYOUT | 键位/Key Type | G     | A     | B     | C     | D     | E     | F     | L     |
|------------|-------------|-------|-------|-------|-------|-------|-------|-------|-------|
|            | 键位/Key      | 1     | 2     | 2     | 2     | 2     | 2     | 2     | 2     |
|            | 外壳型号/Type   | TLEGG | TLEGA | TLEGB | TLEGC | TLEGD | TLEGE | TLEGF | TLEGL |
|            | 角度/Angle    | 0°    | 30°   | 45°   | 60°   | 95°   | 120°  | 145°  | 75°   |
|            |             | /     |       | α     |       | γ     | β     |       | γ     |

针数/Pin Number (II)

| 系列/Series           | 302   | 303   | 304   | 305   | 306   | 307   | 308   | 310   | 314   | 316   |
|---------------------|-------|-------|-------|-------|-------|-------|-------|-------|-------|-------|
| 孔位排列/Pin Number     |       |       |       |       |       |       |       |       |       |       |
| 导体直径/Pin size       | 1.3mm | 1.3mm | 0.9mm | 0.9mm | 0.7mm | 0.7mm | 0.7mm | 0.5mm | 0.5mm | 0.5mm |
| 适配线缆/Conductor size | 20AWG | 20AWG | 22AWG | 22AWG | 22AWG | 22AWG | 22AWG | 28AWG | 28AWG | 28AWG |
| 额定电流/Rated current  | 15A   | 12A   | 10A   | 9A    | 7A    | 7A    | 5A    | 2.5A  | 2.0A  | 1.5A  |



5) 面板开孔尺寸/Hole Size



|         |  |
|---------|--|
| 6       | 母针芯/Pin: 磷铜镀金/Phosphor copper,Gold plated    |
| 5       | 绝缘体/Insulator: PPS                           |
| 4       | 接地环/Earthing crown: 黄铜镀镍/Brass,Nickel plated |
| 3       | 密封圈/O-RING: 橡胶/Rubber                        |
| 2       | 开槽螺母/Notched nut: 黄铜镀铬/Brass,Chrome plated   |
| 1       | 外壳/Outer Shell: 黄铜镀铬/Brass,Chrome plated     |
| 序号 ITEM | 名称 & 规格/Name & DESCRIPTION                   |

|         |           |                                     |                    |
|---------|-----------|-------------------------------------|--------------------|
|         | SCALE     | TOLERANCES ARE:<br>DECIMALES ANGLES |                    |
|         | F         | ±                                   |                    |
| SHEET   | DIMENSION | APPROVALS                           | DATE               |
| 1 OF 1  | MM        | APPROVED:                           |                    |
| DWG NO. | REV.      | CHECKED:                            |                    |
| TLEEG1K | A0        | CHECKED:                            |                    |
|         |           | DRAWN:                              | pengsen 26/02/2020 |

|   |        |
|---|--------|
| TITLE: 固定式插座/Fixed socket               |        |
| PART NO. TLEEG 1K 308 CLL               | REV. * |
| <b>LINCONN</b> Linconn Etc Tech Co.,LTD |        |