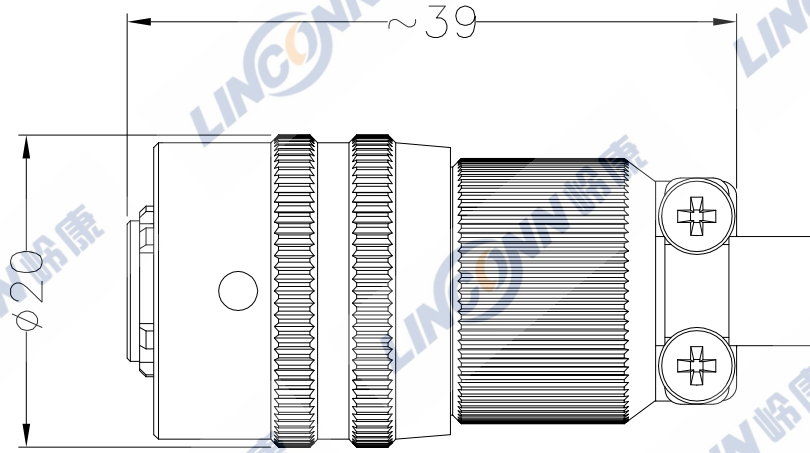
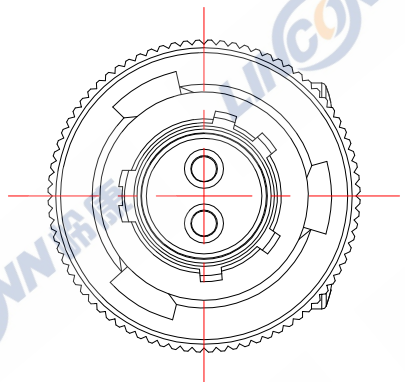
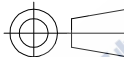


ECN	REV	DESCRIPTION	DATE	APPROVED



技术特性/Technical Characteristics

1. 寿命/Durability: >500 mate/unmate cycles
2. Pin接触电阻/ Pin Contact Resistance: $\leq 10 \text{ m}\Omega$
3. 绝缘电阻/Insulation Resistance: $\geq 100 \text{ M}\Omega$
4. 温度等级/Rated Temperature: $-25^\circ \text{ C}, +80^\circ \text{ C}$

4	护套/Bend relief:Rubber		SCALE	TOLERANCES ARE: DECIMALES $X \pm 0.2$ $.XX \pm 0.1$	ANGLES \pm	TITLE: 浮动式插头/Free Plug	
3	外壳/Outer Shell: 铝合金阳极黑色/Aluminium alloy, Anodizing back		F			PART NO. Y50X-0802TK2	
2	绝缘体/Insulator: PBT	SHEET	DIMENSION	APPROVALS	DATE	REV. *	
1	母针芯/PIN: 磷铜镀金/Phosphor copper, G/F	1 OF 1	MM	APPROVED:		Y50X-0802TK2	
序号ITEM	名称 & 规格/Name & Description	DWG NO.	REV.	CHECKED:		* Linconn	
		Y50X	A0	CHECKED:		Linconn Etc Tech Co.,LTD	
				DRAWN: S.peng	03/29/2018		