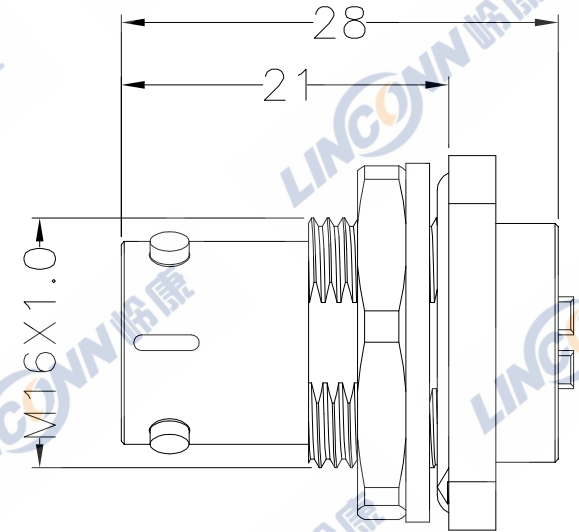
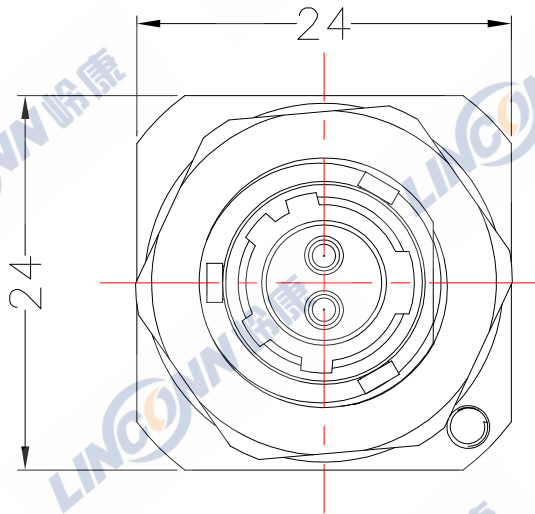
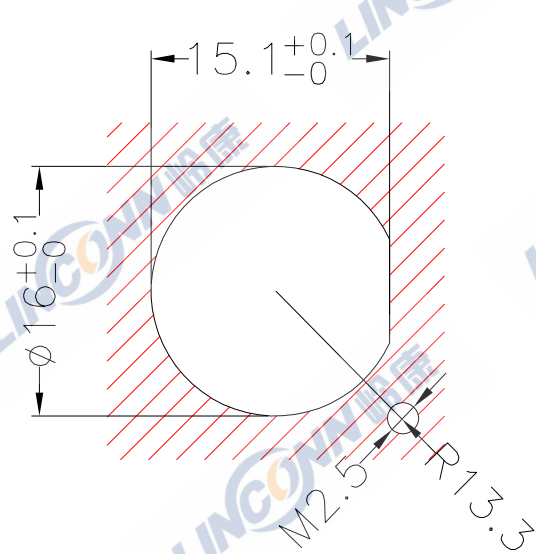


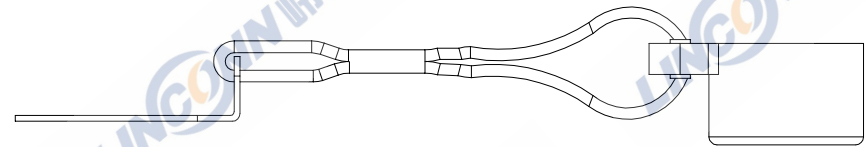
面板开孔/RECOMMENDED PANEL CUT-OUT



技术特性/Technical Characteristics

1. 寿命/Durability: >500 mate/unmate cycles
2. Pin接触电阻/ Pin Contact Resistance:  $\leq 10 \text{ m}\Omega$
3. 绝缘电阻/Insulation Resistance:  $\geq 100 \text{ M}\Omega$
4. 温度等级/Rated Temperature:  $-25^\circ \text{C}, +80^\circ \text{C}$

Rubber cap optional  
Scale 1:2



Scale 1:2

5	六角螺母/Hexagonal nut: 铝合金阳极黑色/Aluminium alloy, Anodizing back
4	密封圈/O-RING: Rubber
3	外壳/Outer Shell: 铝合金阳极黑色/Aluminium alloy, Anodizing back
2	绝缘体/Insulator: PBT
1	公针芯/PIN: 黄铜镀金/Brass ,G/F
序号ITEM	名称 & 规格/Name & Description

	SCALE	F
	DIMENSION	MM
SHEET	1 OF 1	
DWG NO.	Y50X	REV.
	A0	

TOLERANCES ARE: DECIMALES $X \pm 0.2$ $.XX \pm 0.1$	ANGLES $\pm$
APPROVALS	DATE
APPROVED:	
CHECKED:	
CHECKED:	
DRAWN: S.peng	03/29/2018

TITLE: 固定式插座/Fixed socket	
PART NO. Y50X-0802ZJ14	REV. *
Linconn Elc Tech Co.,LTD	