

ECN	REV	DESCRIPTION	DATE	APPROVED

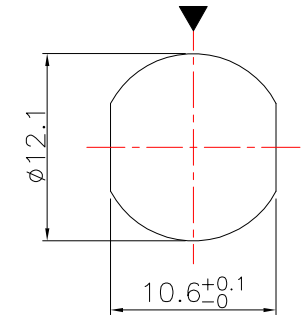
1. 芯数/NO. of contacts

系列/Series	303	304	305	306	308	312	317
Pin 排列/Pin Assignment PCB 孔位/PCB Layout (Front View)							
导体直径/Pin size	1.0mm	1.0mm	1.0mm	0.8mm	0.8mm	0.6mm	0.6mm
额定电压/Rated voltage	250V	250V	60V	30V	30V	30V	30V
额定电流/Rated current	4A	4A	4A	2A	2A	1.0A	1.0A

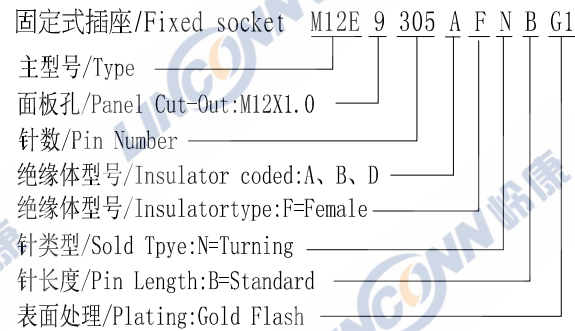
2. 绝缘体型号/Insulator Coded

Coded	A	B	D
型号			

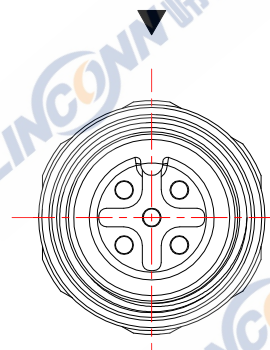
3. 面板开孔/RECOMMENDED PANEL CUT-OUT



4. 编码原则/Part Number

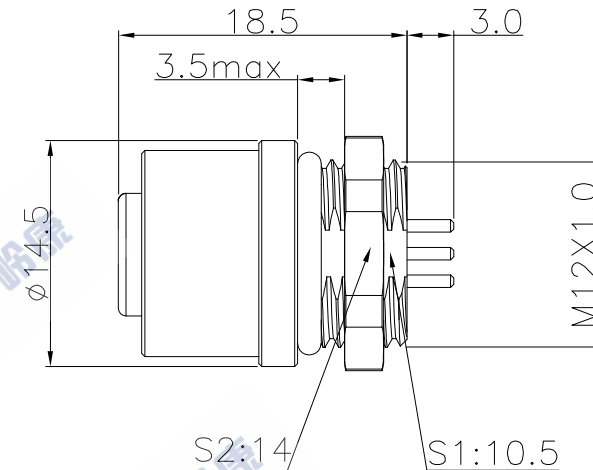


"▼" Insulator key



5. 技术特性/Technical Characteristics

1. 寿命/Durability: >500 mate/unmate cycles
2. Pin接触电阻/ Pin Contact Resistance: ≤10 mΩ
3. 绝缘电阻/Insulation Resistance: ≥ 100 MΩ
4. 温度等级/Rated Temperature: -25° C, +80° C
5. 盐雾/Corrosion Resistance: Salt spray test, >48h
6. 防水等级/Waterproof: IP67



5 六角螺母/Hexagonal nut: 黄铜镀镍/Brass, Nickel plated

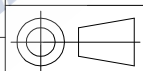
4 母针芯/PIN: 磷铜镀金/Phosphor copper, G/F

3 外壳/Outer Shell: 黄铜镀镍/Brass, Nickel plated

2 密封圈/O-RING: Rubber

1 绝缘体/Insulator: PA BLACK

序号/ITEM 名称 & 规格/Name & Description



SHEET	DIMENSION
1 OF 1	MM
DWG NO.	REV.
M12E	A0

SCALE		TOLERANCES ARE: DECIMALES ANGLES · X± 0.2 · XX± 0.1	
F		±	
APPROVALS	DATE	TITLE: 固定式插座/Fixed socket	
APPROVED:		PART NO. M12E9305AFNBG1	
CHECKED:		REV. *	
CHECKED:		LINCINN Linconn Elc Tech Co.,LTD	
DRAWN: S.peng	03/24/2014		